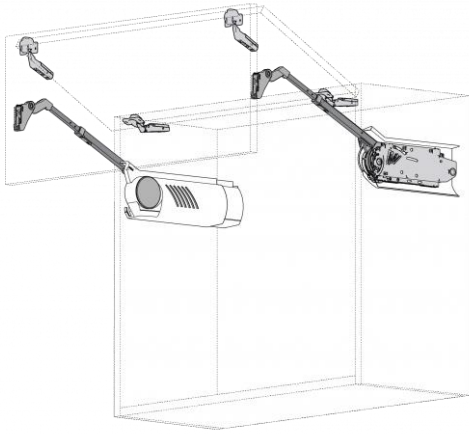




AVENTOS HF



FAQ

Quick facts:

- Well-suited for higher wall cabinets with large fronts
- Light operating forces
- Variable stop available (stops at any opening position)

- Country of origin: Austria
- Motion technologies: BLUMOTION, SERVO-DRIVE
- Material / Finish: Steel / Zinc plated with cover caps in 3 different colors

- Cabinet width: up to 1800mm
- Cabinet height: from 480mm to 1040mm

FAQ sections:

[Basic Product Information](#)

[Technical information](#)

[Trouble shooting](#)

What is AVENTOS HF?

AVENTOS HF has a two-part front that folds together in the centre when opening.

The bi-fold lift system is ideal for higher wall cabinets with large fronts because the handle remains easy to reach in any position.

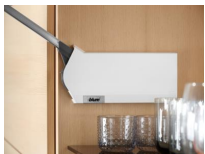
AVENTOS HF can also be used with fronts of different heights.

What material is AVENTOS HF made of?

The mechanism of AVENTOS HF is made of **steel with Nickel plated coating**.

What colors is AVENTOS HF available in?

The cover caps of AVENTOS HF are available in **3 different colors**:-



Silk white



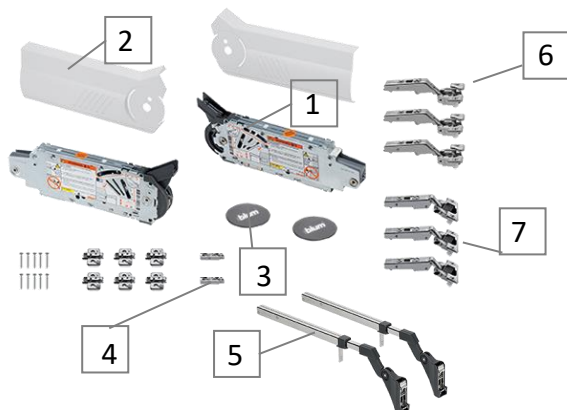
Light grey



Deep grey

What are the parts included in an AVENTOS HF set?

An AVENTOS HF set comes with **2 lift mechanisms** (symmetrical), **2 cover caps** (L&R), **2 Blum logo caps**, **a pair of telescopic arms**, **2 mounting plates for the telescopic arms** and **6 door hinge sets**.



1. Lift mechanism
2. Cover cap
3. Blum cover cap
4. Mounting plate
5. Telescopic arm
6. CLIP top centre hinge
7. CLIP top 120° hinge

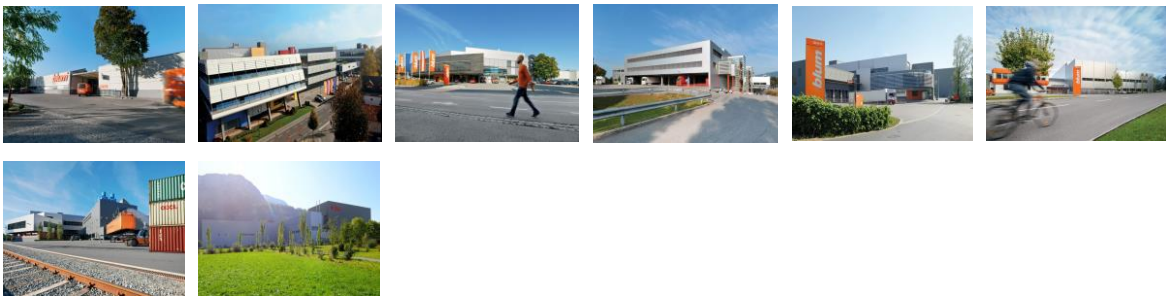


Basic product info

What is the **country of origin**?

AVENTOS HF is made in 1 of our **8 factories in Austria**.

[Right-click here](#) to learn more about our factories in Austria.



What is the **warranty** for AVENTO HF?

All Blum mechanical products come with a lifetime warranty.

Please [Right-click here](#) to download our warranty declaration or read our general T&Cs regarding our warranty at the end of this document.

How is AVENTOS HF **tested**?

All AVENTOS lift systems are tested for **80,000 opening and closing cycles**.

[Right-click here](#) to learn more about Blum Quality and how we test our products.

Where can I find **more information about AVENTO HF**?

1. You can [Right-click here](#) to open the AVENTOS HF page on **blum.com**
2. You can also find many **application images** on **connect.blum.com**.
[Right-click here](#) to see how AVENTOS HF can be applied to various places around your home.



Basic product info

What door panel materials can I use for AVENTOS HF?

Wood material or **Aluminium frames** are compatible with AVENTOS HF



Wood combines with glass fronts




Aluminium fronts

Can I use AVENTOS HF for thin (narrow) aluminium frames as well?

Yes, but you need to purchase a **different hinge set and front attachments**.

The standard attachment that comes in the standard set can only be used for wooden doors and wide aluminium frames.

CLIP top 120° aluminium frame door hinge			
	Boss	Spring	Part no.
	Screw-on	Unsprung	72T550A.TL
3 hinges at cabinet width 1200 mm and/or starting from 12 kg front weight 4 hinges at cabinet width 1800 mm and/or starting from 20 kg front weight			

CLIP top aluminium centre hinge			
	Boss	Spring	Part no.
	Screw-on	Unsprung	78Z550AT
3 hinges at cabinet width 1200 mm and/or starting from 12 kg front weight 4 hinges at cabinet width 1800 mm and/or starting from 20 kg front weight			

CLIP adapter plate for centre hinges			
	Version	Spacing (mm)	Part no.
	Symmetrical	0	175H5A00

Can I use AVENTOS HF for **handle-less designs**?

Yes! There are 2 options for you to achieve this.

1. The **door can be designed to overlay the bottom of the cabinet**. This way you create a latch that can be used as a handle to open the door.
2. You can also combine the **BLUMOTION** lift mechanism with the **SERVO-DRIVE** electrical motion support system.

What **motion technologies** does AVENTOS HF offer?

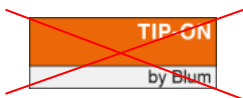
AVENTOS HF comes in soft closing **BLUMOTION** as well as with the electrical motion support system **SERVO-DRIVE**.

- **BLUMOTION** is for **soft closing** solutions – normally when the door is fitted with a handle.
- **SERVO-DRIVE** is for **handle-less** designs. The door opens with a light push against the door panel



Can I **open** AVENTOS HF with **TIP-ON**?

No. AVENTOS HF does not have a TIP-ON option.



Can I **still open** my SERVO-DRIVE AVENTOS HF if the **power is out**?

Yes! When the power goes out, SERVO-DRIVE for AVENTOS is not activated. However, you can continue to open and close manually without restrictions. Once the power has been restored, you can carry on using everything as normal without having to make any additional adjustments.



Basic product info

Does AVENTOS HF support **Variable Stop (Stop in any position)**

Yes. AVENTOS HF supports **Variable stop**.

- As long as you have **selected the correct lift mechanism** and adjusted the power factor precisely to the weight of the front, AVENTOS HF remains exactly where you want it to, so it is always within easy reach.



How do I **maintain** my AVENTOS HF?

Blum products are generally maintenance-free.

However, during assembly and usage of Blum products, it is inevitable that stains or other kinds of contamination will appear on the product or its surfaces.

When cleaning, make sure to treat the protective areas and materials with care. Avoid applying abrasive chemicals as they will cause damage to the product.



For more information on cleaning and general maintenance instructions, please [Right-click here](#) to download our **“Cleaning and maintenance”** manual.

What is the **min/max door height** for AVENTOS HF?

The **minimum door height** is **480mm**.

The **maximum door height** is **1040mm**.

Exceeding the maximum door height of 1040mm will cause the variable stops and soft-closing to malfunction.



What is the **max door width** for AVENTOS HF?

The maximum door width is **up to 1800mm**

Please take note! If the door front width **exceeds 1200mm**, a **third mechanism set** is recommended. Due to the increased weight, it is possible that the door it will sag or bend.



Can I design my cabinet **outside of the min/max specifications**?

No! AVENTOS HF will not be able to function properly if the cabinet dimension are exceeding the specifications stated by Blum.

Furthermore, **the warranty might be voided** as it is considered as **“not used for the products intended purpose”**

What is a **Power Factor** and why do I need it

The **Power Factor** is a **formula** to determine what strength of mechanism is required for your cabinet design.

Cabinets come in many different heights and widths. Also, the door panels come in many different materials and thicknesses.

All the above have an influence on the strength of the mechanism needed for your cabinet door to be able to stop at any angle or opening position.

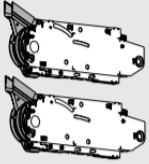
How do I calculate the **Power Factor**?

The **Power Factor** can be calculated with the following formula :-

Total door Height in mm * (**Door Weight** in kg + **Double handle weight** in kg)

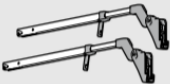
How do I choose the **correct AVENTOS HF mechanism**

Once you know your Power Factor you can select the correct one from our list below:-

Lift mechanism set		
	Power factor LF	
	2600–5500	20F2200
	5350–10150	20F2500
	9000–17250 (3 pcs LF 13500-25900)	20F2800

How do I choose the **correct telescopic arm**?

You need the cabinet height to select the correct one from our list below:-

Telescopic arm set		
	Cabinet height (mm)	
	480–570	20F3200
	560–710	20F3500
	700–900	20F3800
	760–1040	20F3900

What happens if I choose the **wrong Power Factor** for my door?

The **Variable Stop** function will not work.

- If the **Power Factor is too strong**, the door will not stay when you let go and flip open all the way.
- If the **Power Factor is too weak**, the door will not stay in the position and will close again by itself.

Can I design my **doors with 2 different heights**?

Yes! AVENTOS HF support asymmetrical door front heights.

However, **the larger door front must be in the top position** and the **maximum height of it is 520mm**



Can I use **different materials** for my doors?

Yes, that is possible. AVENTOS HF allows you to use a combination of materials. Please take note that different hinges may be needed if any of the door panel is a narrow aluminum frame.

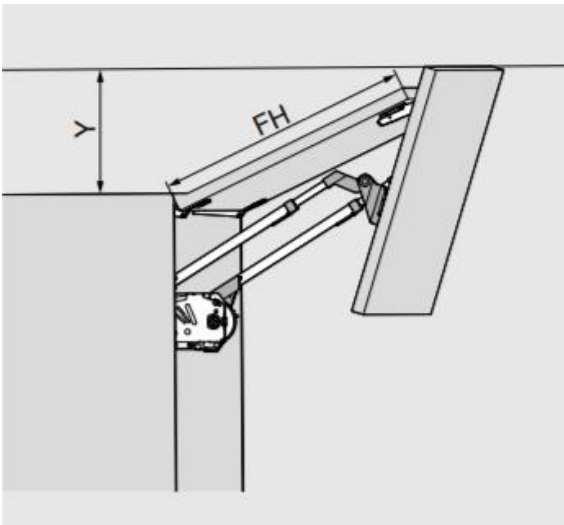


What are the general **Space requirements** for AVENTOS HF

The Space requirement is **dependent height of the top door panel**.

“**Y**” indicates the **Space requirement on top of the cabinet** when the door is fully opened.

“**FH**” indicates the **Front height of the top door panel**.

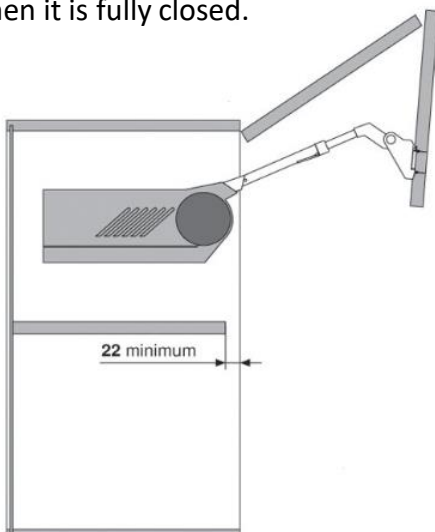


Opening angle stop	Y (mm)
Unsprung	$FH \times 0.44 + 38$
104°	$FH \times 0.24 + 34$
83°	0
FH Front height top	

Can I have **shelving in the cabinet** when using AVENTOS HF?

Yes! Please take note that the shelf needs to be recessed by 22mm from the front.

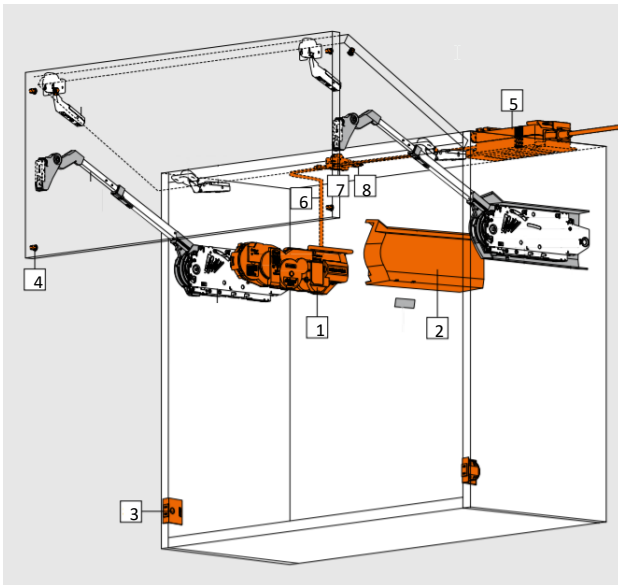
This **gap is necessary** to allow for the space the **telescopic arm needs inside of the cabinet** when it is fully closed.



When I choose to use **SERVO-DRIVE** – what extra items do I need?

You need to purchase the following items marked in orange in addition to the AVENTOS HF BLUMOTION mechanism.

Please note: The lift mechanism and telescopic arm sets are the same regardless of whether AVENTOS HF is installed with SERVO-DRIVE or BLUMOTION only.



1. Drive unit
2. SERVO-DRIVE cover cap
3. SERVO-DRIVE switch
4. Distance bumpers
5. SERVO-DRIVE transformer
6. Distribution cable
7. Connection node
8. Cable end connector

How many drive units do I need?

You only need **1 drive unit per cabinet**.

The drive unit is always mounted **on top of the left AVENTOS** mechanism,

How many SERVO-DRIVE switches do I need?

You need **2 switches per cabinet**. One on the **left side** and one on the **right side**.

Do I need a SERVO-DRIVE transformer for every cabinet?

No! One Blum SERVO-DRIVE transformer can be shared across up to 16 AVENTOS drive units.

Why does my Lift System **rise or fall** when I let go of the door?

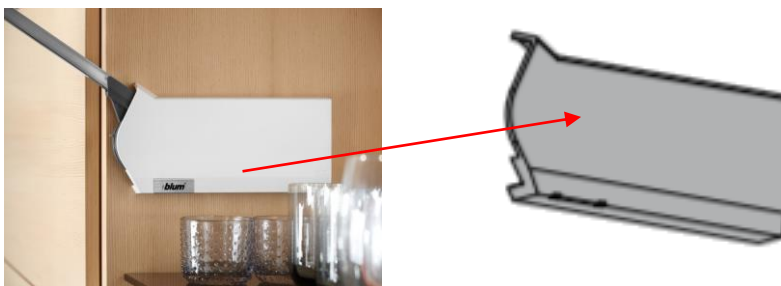
There may be two possible reasons for the door panel not to stop at the desired opening position.

1. The mechanism is **not suitable for the door height and weight** – **Wrong Power factor chosen!**
2. The **Power Factor has not been adjusted properly** – this can be corrected easily by adjusting Power Factor at the mechanism.



Why does the **cover cap**, covering the mechanism, **fall off** all the time?

The “cover cap clip” might have been damaged during the installation. This happens due to mishandling of the product by forcing it to clip on and/or pulling it off with force to remove it.



Can I **exchange the product after Installation?**

No. Once the product was installed, it is no longer eligible to be returned, exchanged or refunded.

Can I hurt my fingers when I put them in between the door panels?

The CLIP top center hinges have an integrated safety feature that prevents fingers getting caught.



What can be done to prevent AVENTOS HF to hit objects above it?

In the case that the door panel hits the ceiling or other objects above it when fully opened, you can insert an **angle stopper** into the mechanism to reduce the standard opening angle.

Blum offers two different angle stoppers.

- 20F7051 to limit the opening angle to **104°**
- 20F7011 to limit the opening angle to **83°**



20F7051



20F7011

How do I make sure that my lift fitting is **really a Blum product**

You can **identify each Blum product by the small Blum logo** stamped or printed on it.

- To **identify an original Blum AVENTOS HF** look for the Blum logo on the telescopic arm or on the cover cap.
- To **identify other Blum products** [Right-click here](#)



Under what circumstances will the **warranty not be given?**

Blum warranty does not cover hardware which has been incorrectly installed and/or used in any manner contrary to its intended purpose. The warranty will also not be given if the door dimensions are not according to AVENTOS HF' specifications and/or the door weight does not match to the correct mechanism.

Please take note that the warranty is for part replacement only. It does not include removal and/or installation of new hardware.

As long as your AVENTOS HF is **installed according to the Blum installation instructions** your **warranty is intact**.

- Please make sure that **all dimensions** mentioned in the Technical Section of this FAQ are **strictly observed**.
- To download the AVENTOS HF **Installation manual** please [Right-click here](#), then go to the "*Downloads*" section and look for the Installation information.