

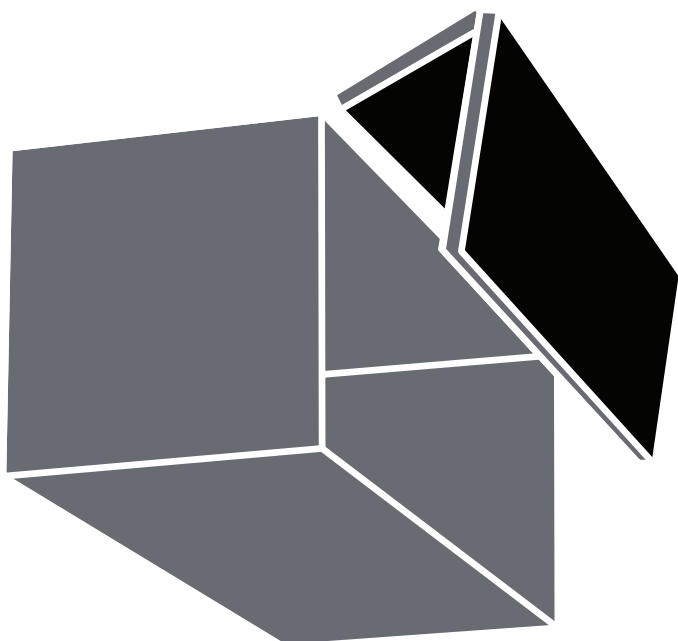
AVENTOS

HF

INSTALLATION
SHEET

 **blum**[®]

爱翻®上翻折叠门



Cabinet Height 橱高: 480 - 1040 mm

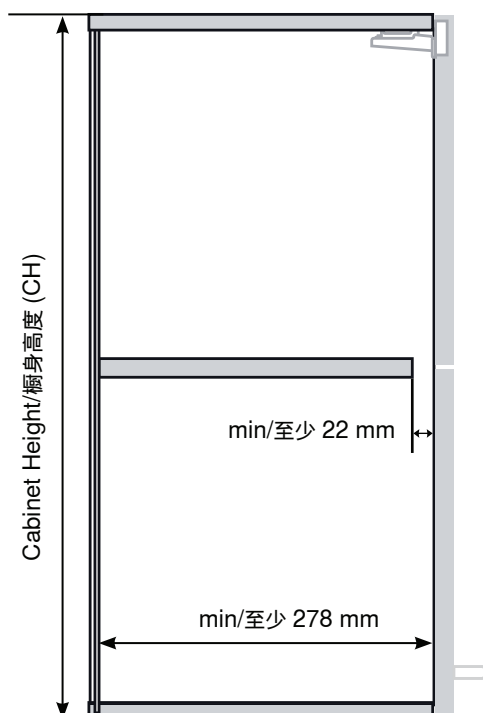
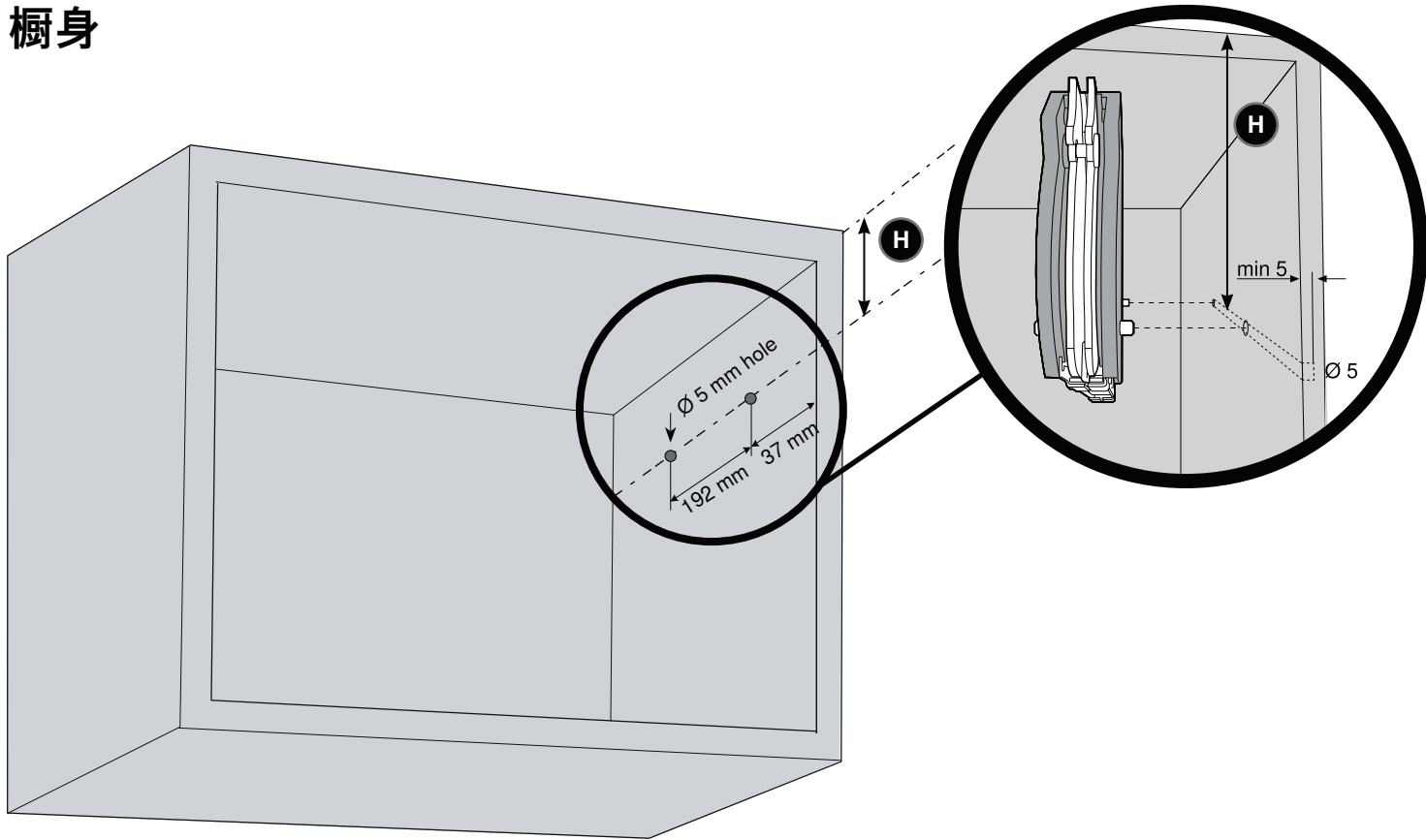


AVENTOS HF - Wooden/ Wide Aluminium door

木面板/ 宽铝框面板

Carcase

橱身



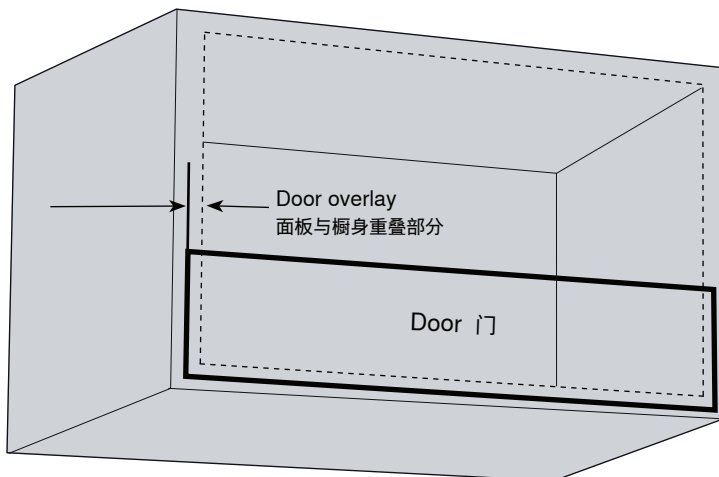
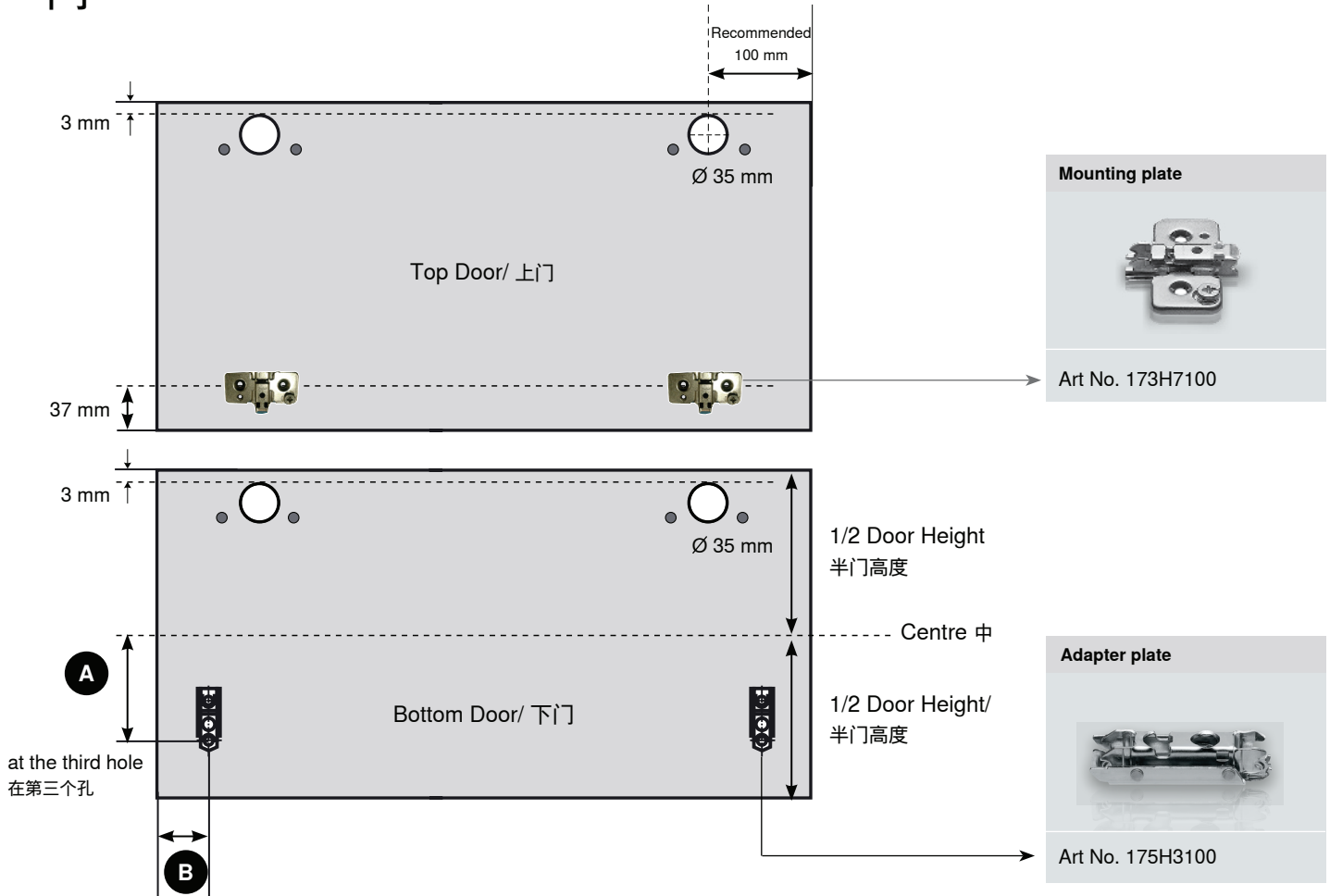
| Cabinet Height 橱身高度 (CH) | H |
|-----------------------------|--------------------|
| 480 - 549 mm | [CH x 0.3] - 28 mm |
| 550 - 1040 mm | [CH x 0.3] - 57 mm |

AVENTOS HF - Wooden/ Wide Aluminium door

木面板/ 宽铝框面板

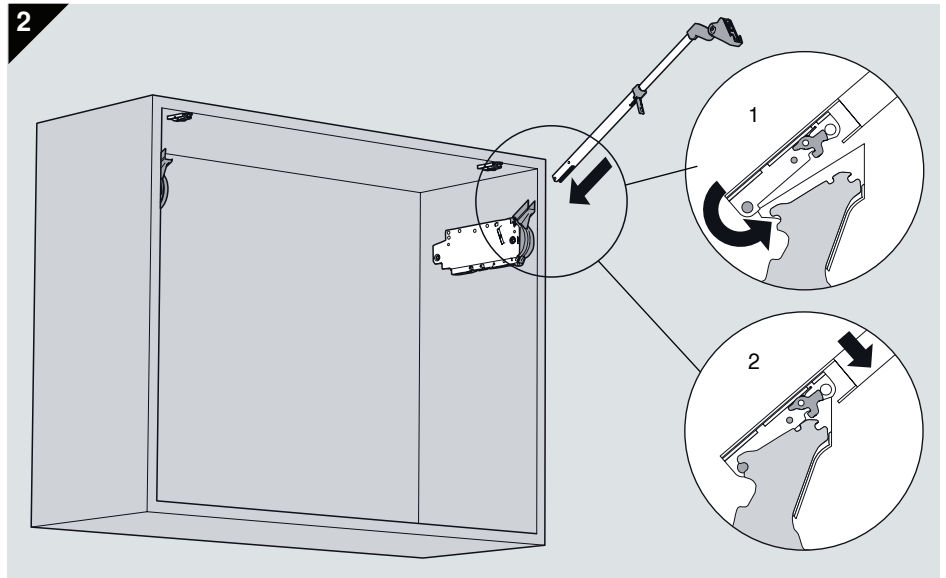
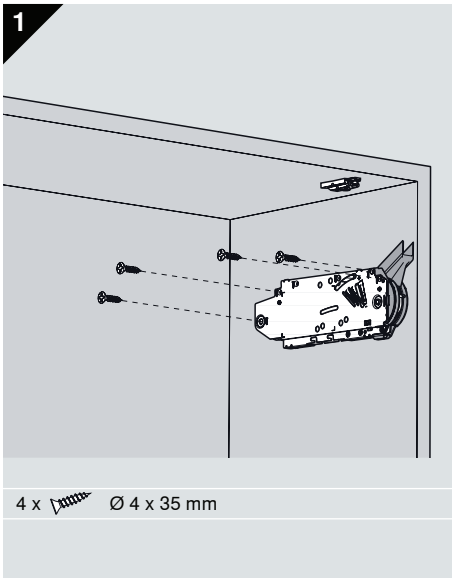
Door

门



| | |
|----------|-------------------------------------|
| A | Cabinet Height 橱身高度 (CH) |
| 70 mm | 480 to 549 mm |
| 47 mm | 550 to 1040 mm |
| B | Door overlay + 12.5 mm 面板与橱身重叠部分 |

Assembly 安装指示

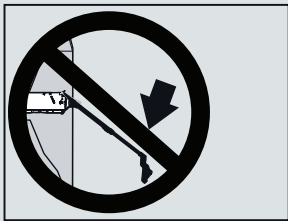


Warning / 警告



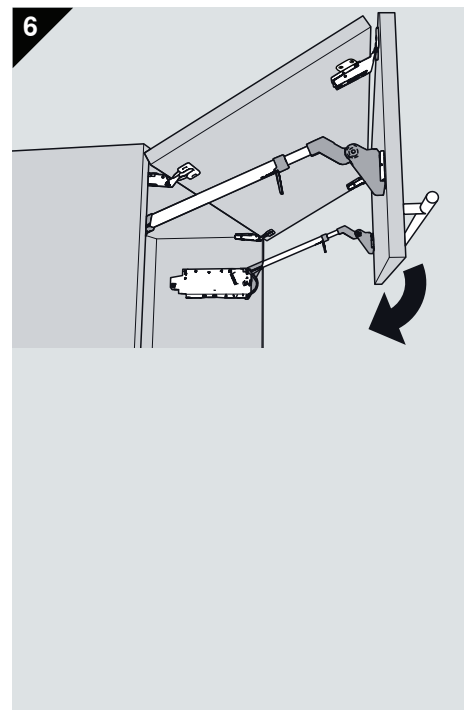
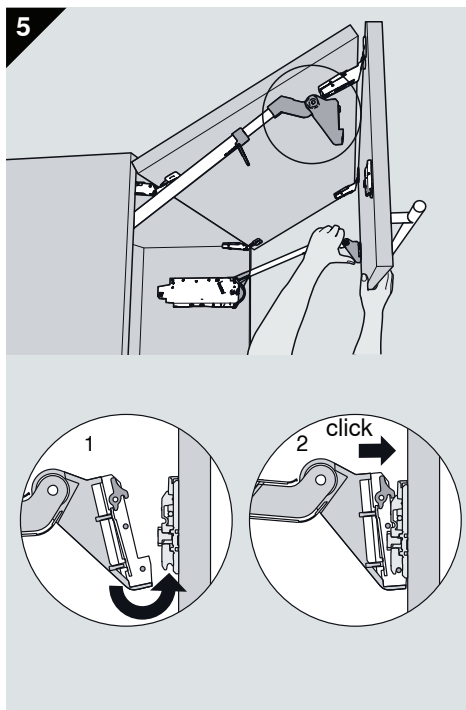
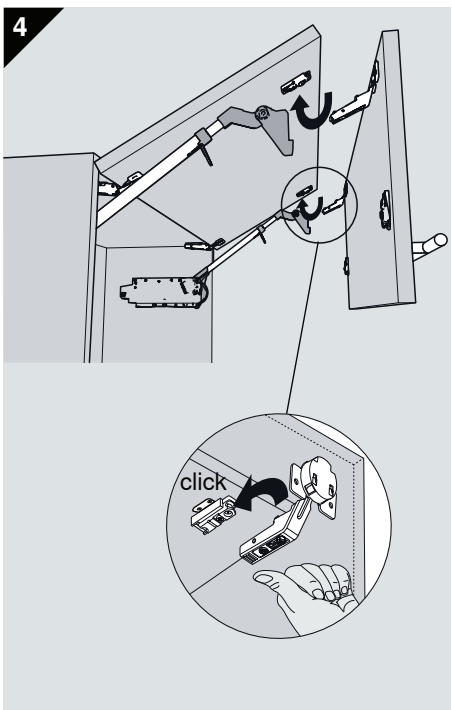
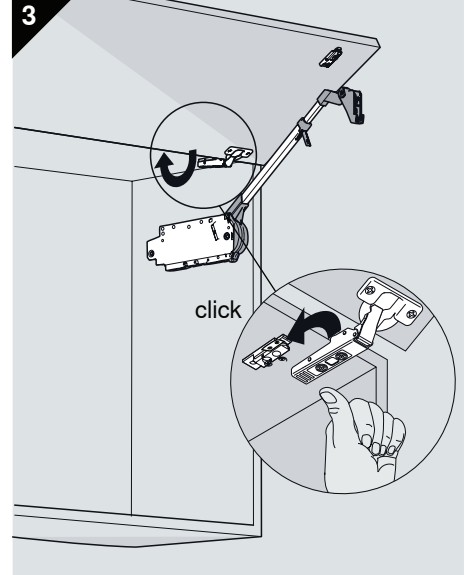
Risk of injury by spring-loaded telescopic arm!

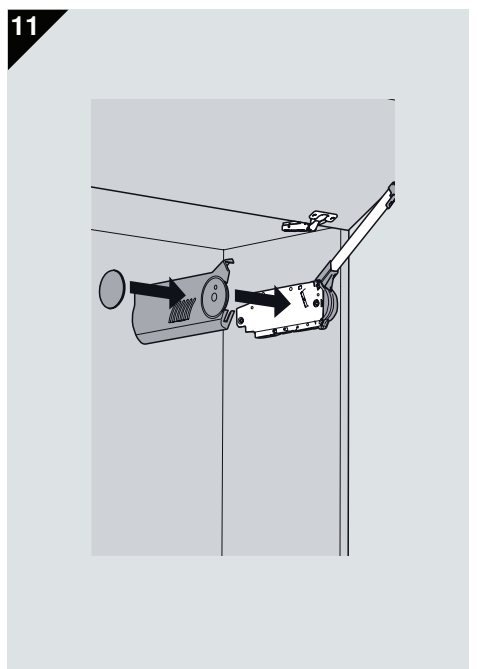
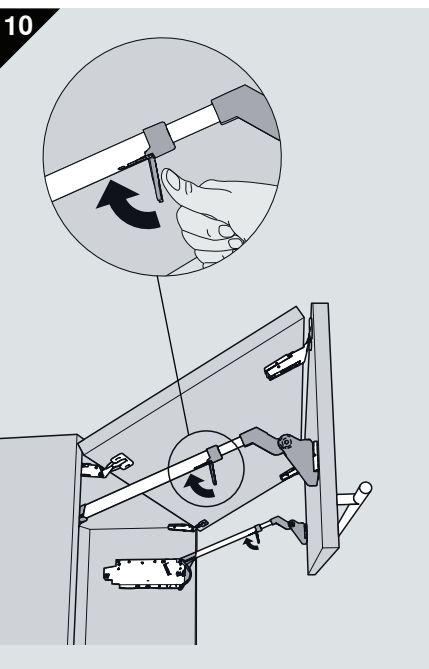
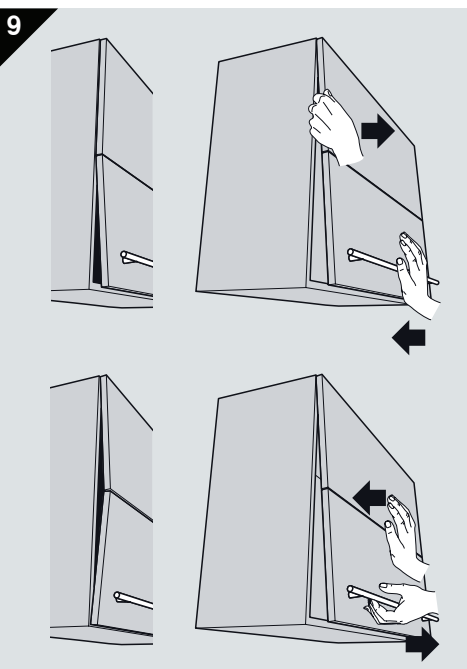
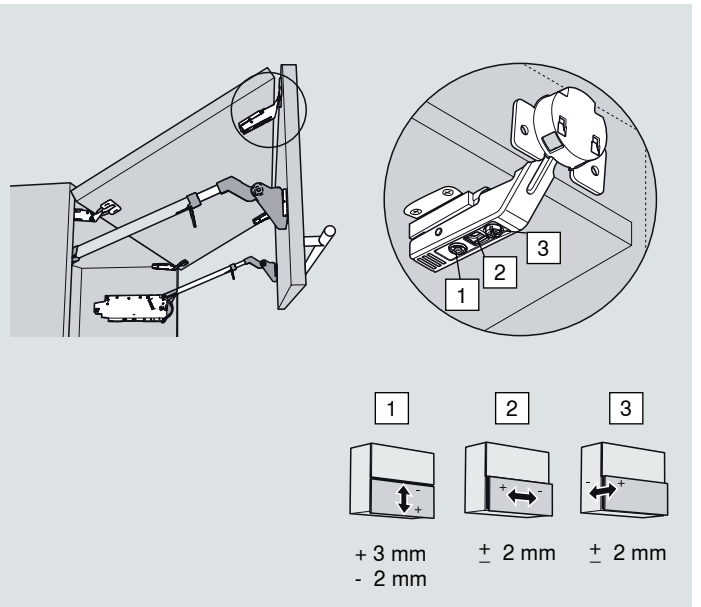
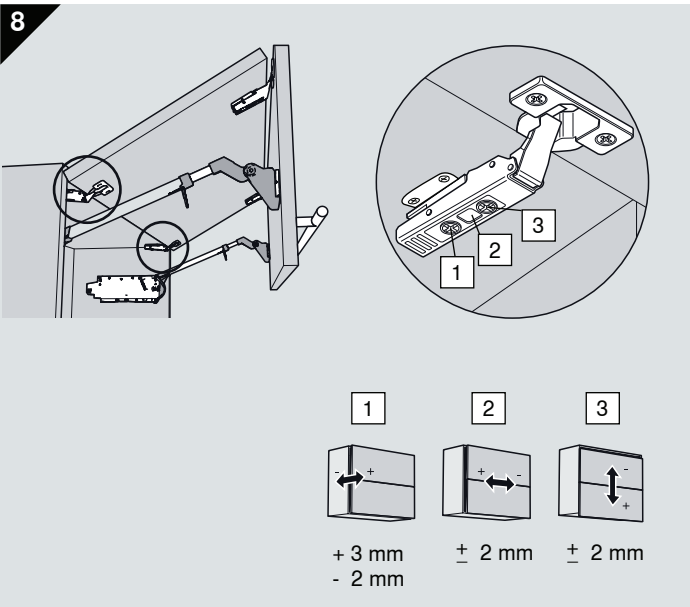
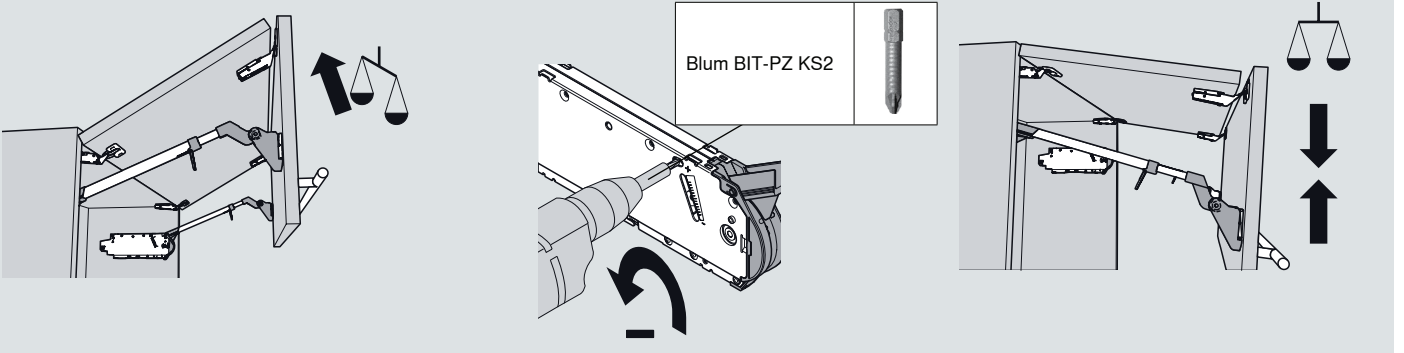
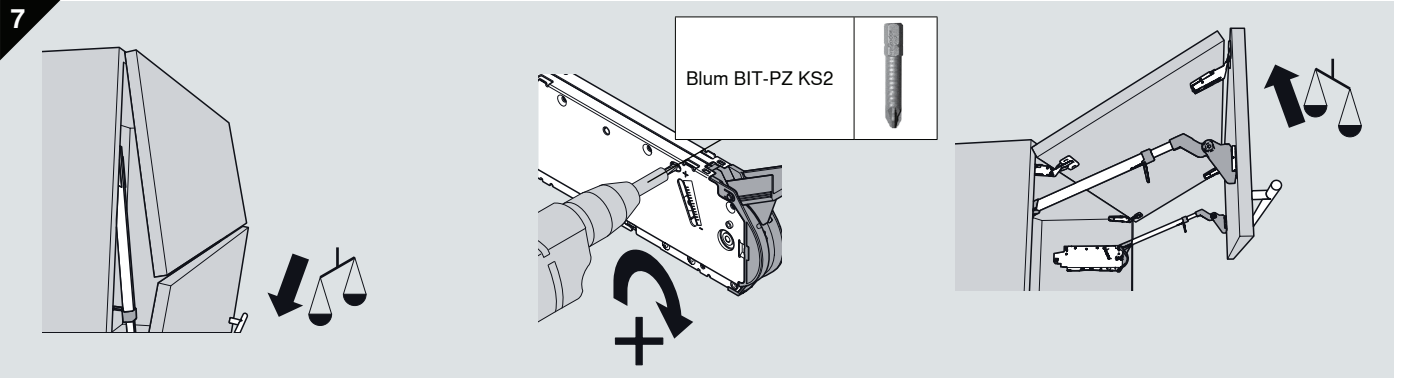
伸缩臂上弹会伤害到人!



Do not push telescopic arm down without door attached but remove

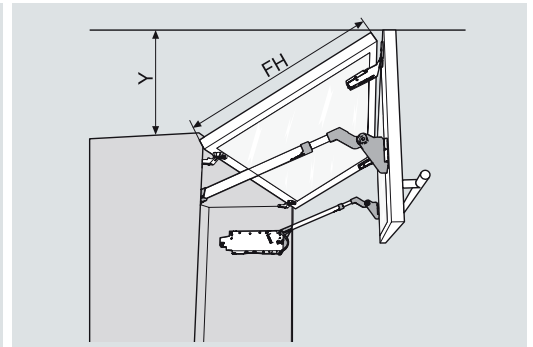
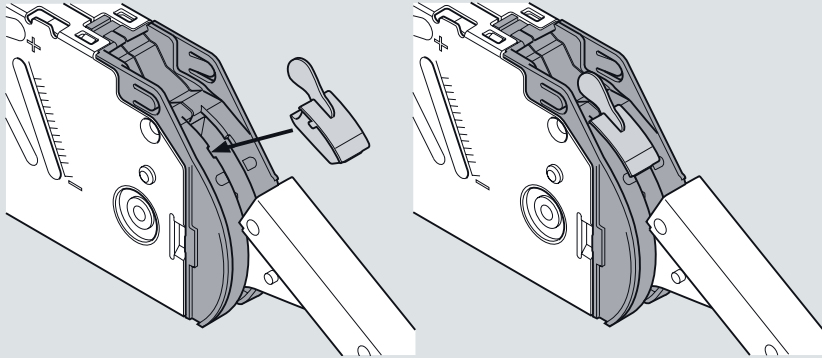
伸缩臂请勿下压, 请务必拆下





Install angle stopper 安装角度限制器

83° 20F7011
104° 20F7051



| Opening angle stop | Y |
|--------------------|-------------------|
| without | FH x 0.44 + 38 mm |
| 104° | FH x 0.24 + 34 mm |
| 83° | 0 mm |

Removal 拆卸指示

