

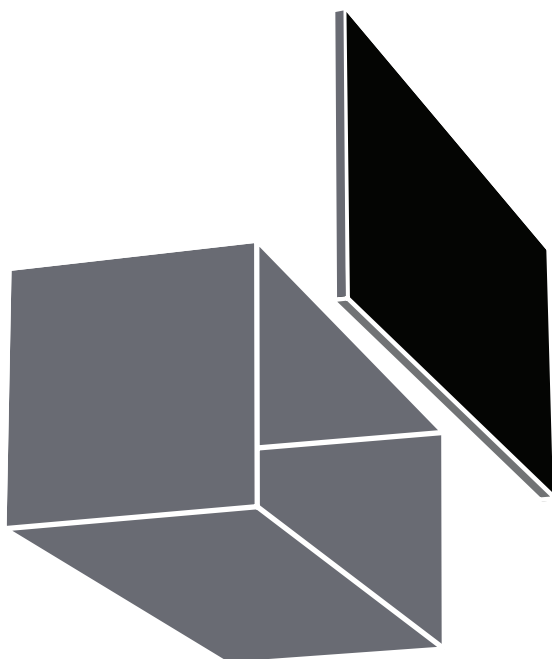
AVENTOS

HL

爱翻®上翻平移门

INSTALLATION
SHEET

 **blum**[®]

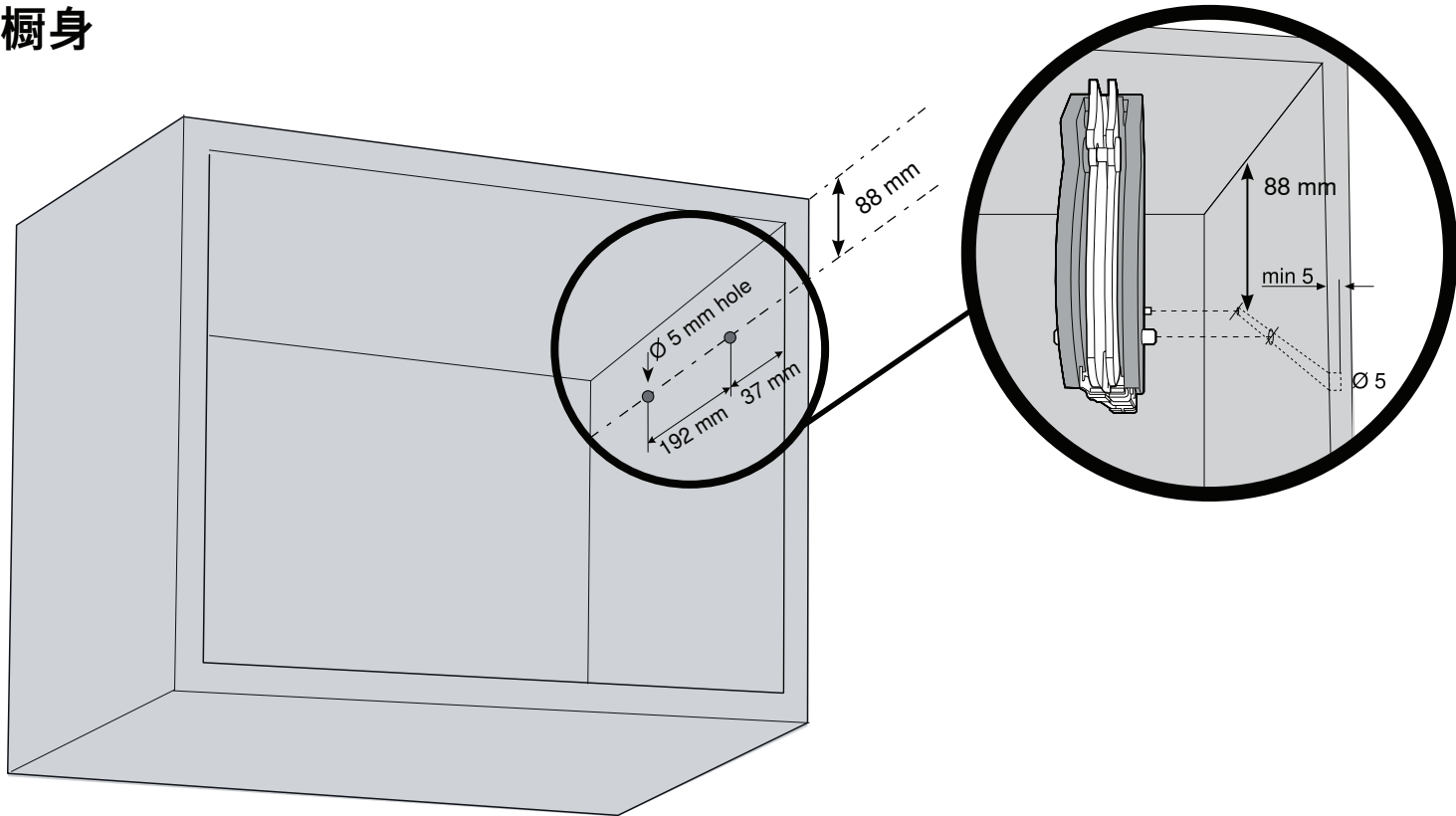


Cabinet Height 橱高: 300 - 580 mm

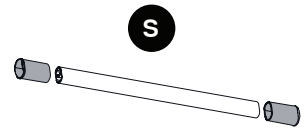


AVENTOS HL - Wooden/ Wide Aluminium door 木门/ 宽铝框门

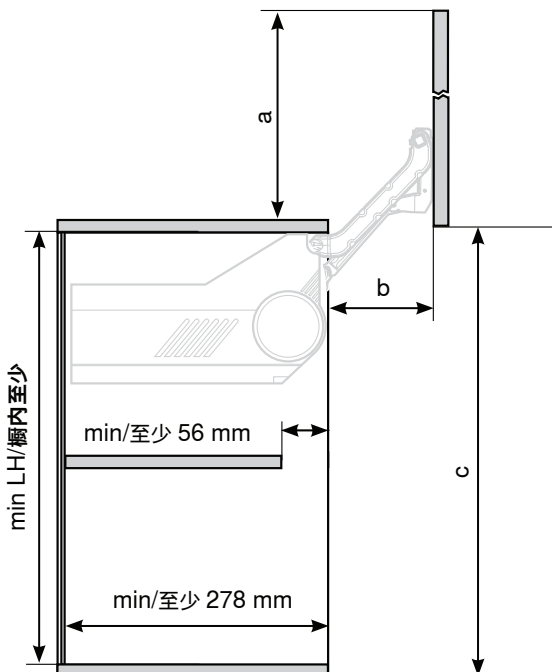
Carcase 橱身



Cut stabiliser to size
如何割横稳定杆



请联系BLUM销售团队寻求帮助

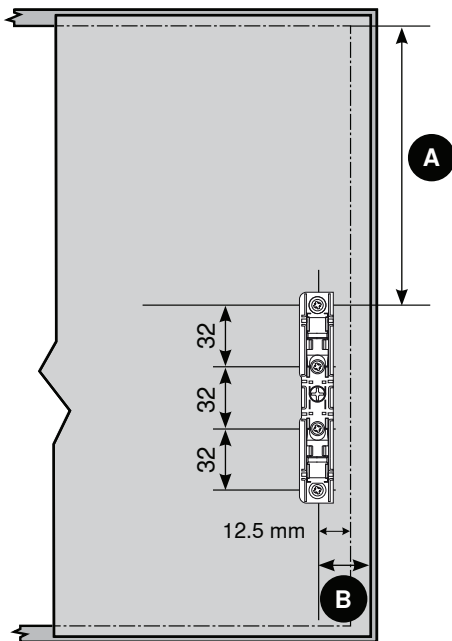


Cabinet width 橱身宽度	S
Up to 1190 mm 到 1190 mm	Internal cabinet width_ 129 mm 橱身内宽
Starting from 1190 mm 从1190 mm 起	Please contact Blum Sales Team for assistance 请联系百隆销售团队寻求帮助

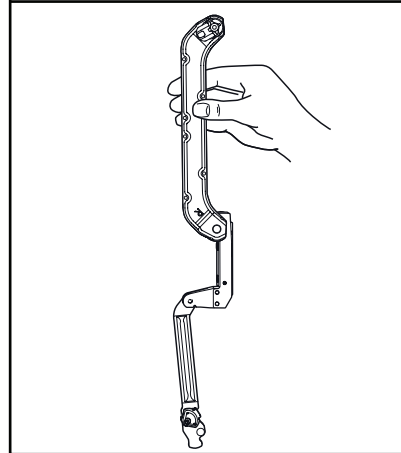
Arm Model 手臂编号	a (mm)	b (mm)	c (mm)*	min. LH (mm)* 橱内至少
20L3201.06	264.0	114.0	257.0	262.0
20L3501.06	352.0	146.0	345.0	312.0
20L3801.06	440.0	178.0	433.0	362.0
20L3901.06	529.0	210.0	522.0	412.0

AVENTOS HL - Wooden/ Wide Aluminium door 木门/ 宽铝框门

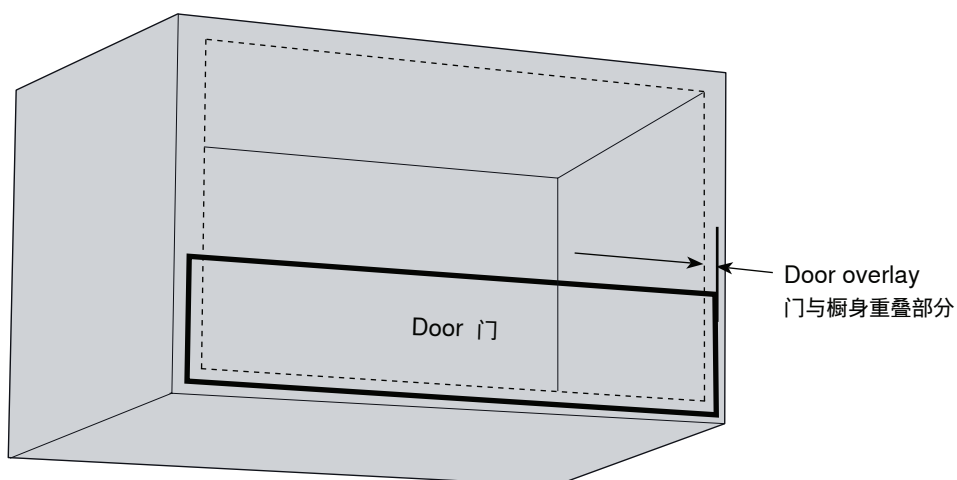
Door 门



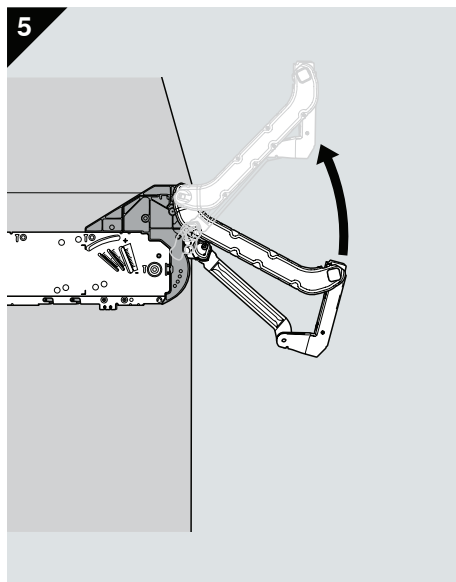
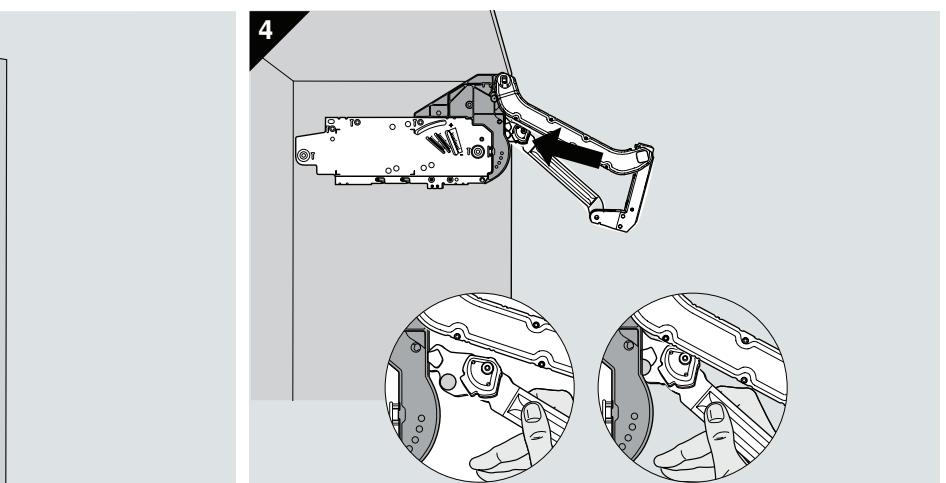
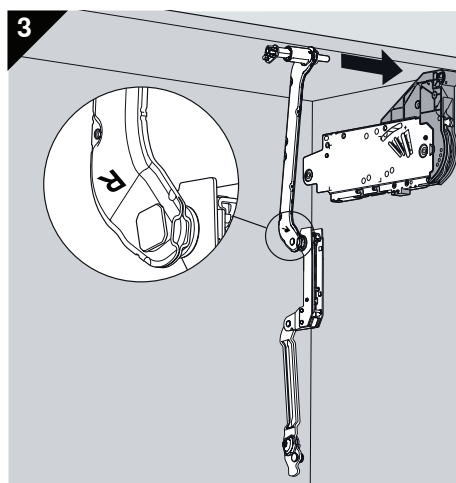
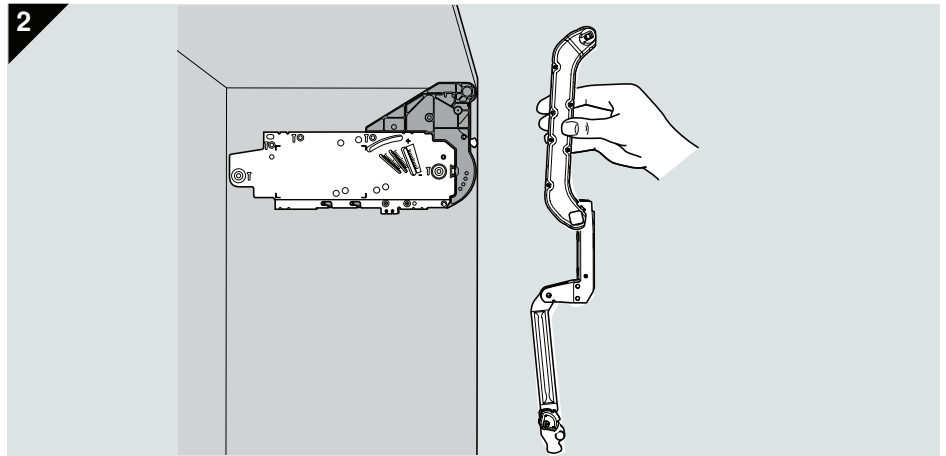
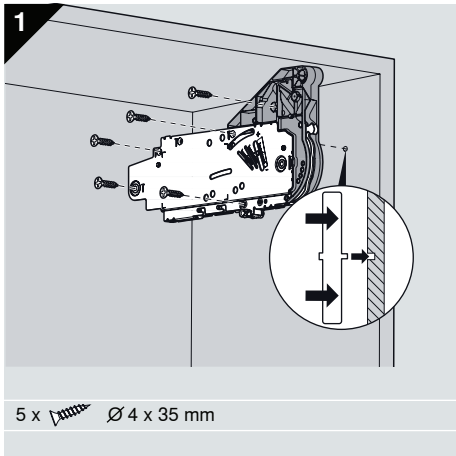
Check Arm Model / 查手臂编号



Arm Model 手臂编号	20L3201.06	20L3501.06	20L3801.06	20L3901.06
A	153 mm	203 mm	253 mm	303 mm
B	Door overlay/门与橱身重叠部分 + 12.5 mm			



Assembly 安装指示

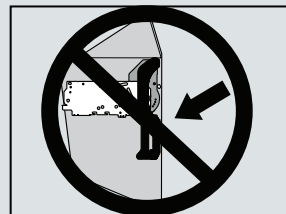


Warning / 警告



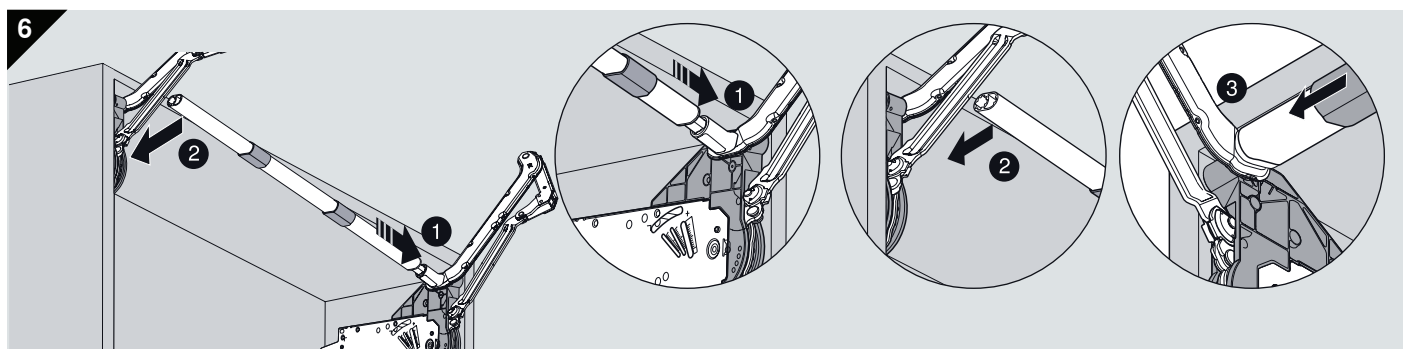
Risk of injury by spring-loaded lever assembly

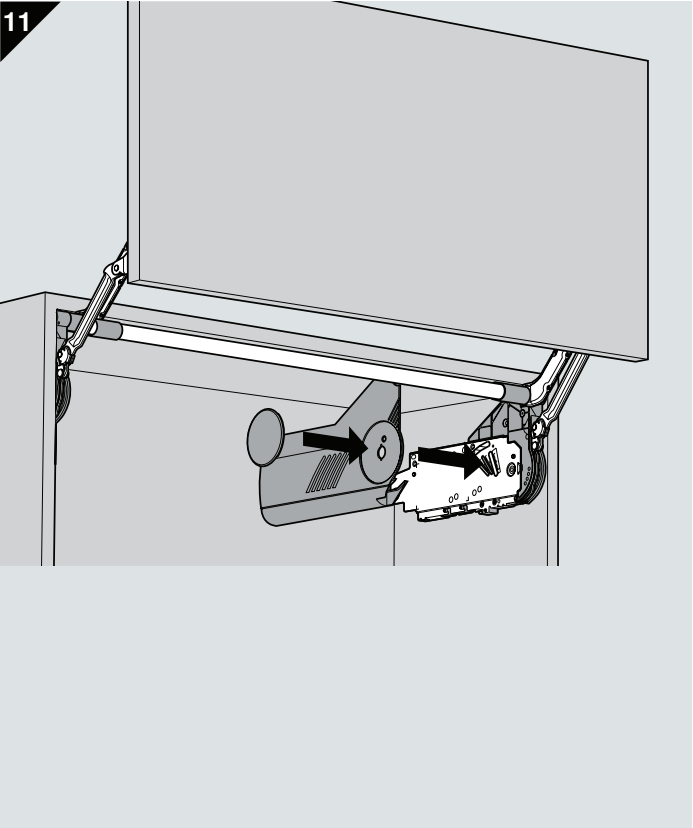
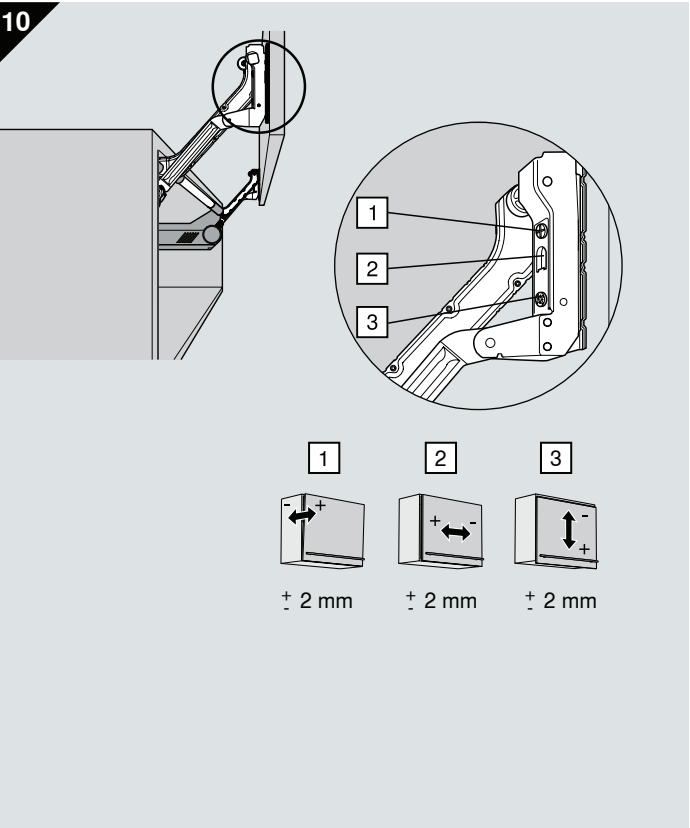
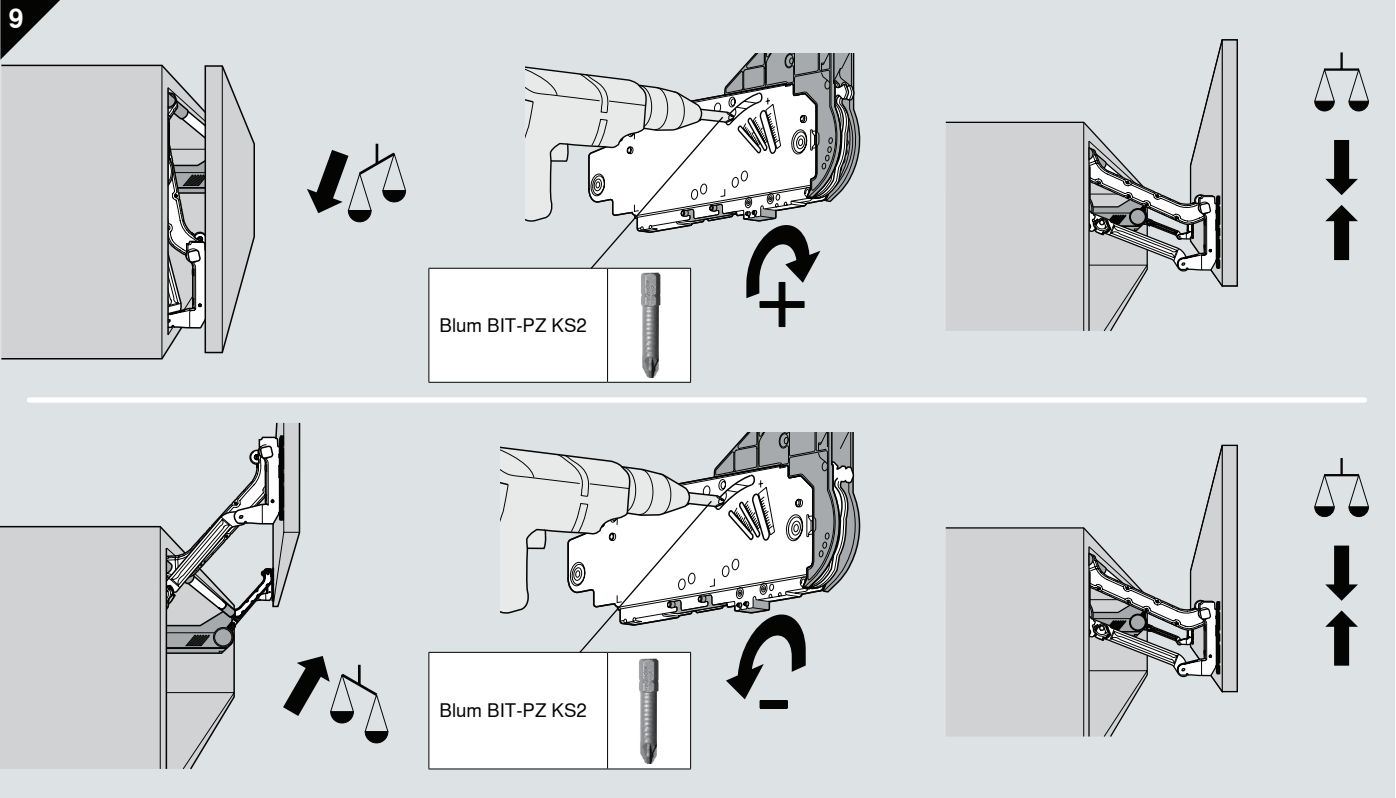
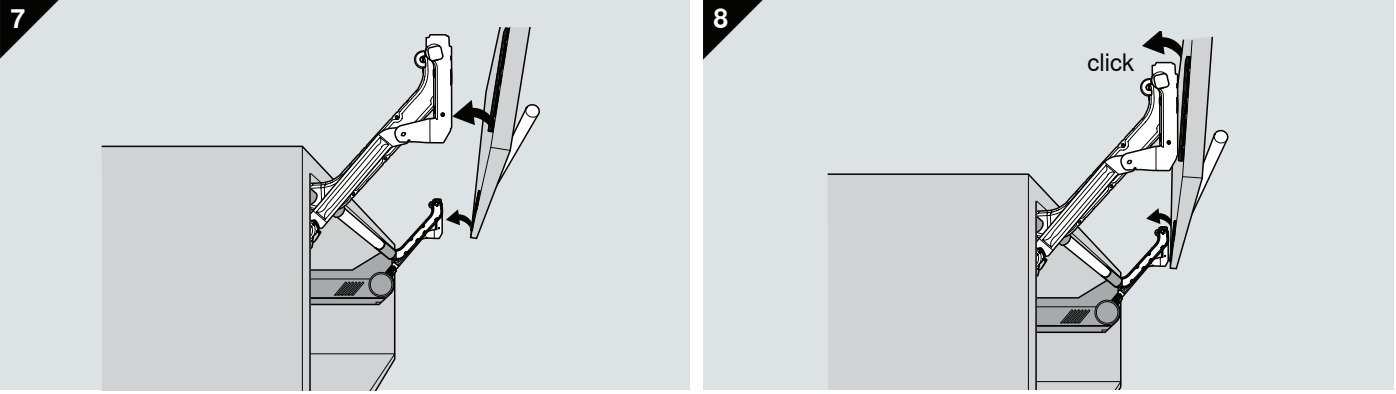
伸缩臂上弹会伤害到人



Do not push lever assembly down without door attached but remove.

伸缩臂请勿下压, 请务必拆下





Removal 扯卸指示

