

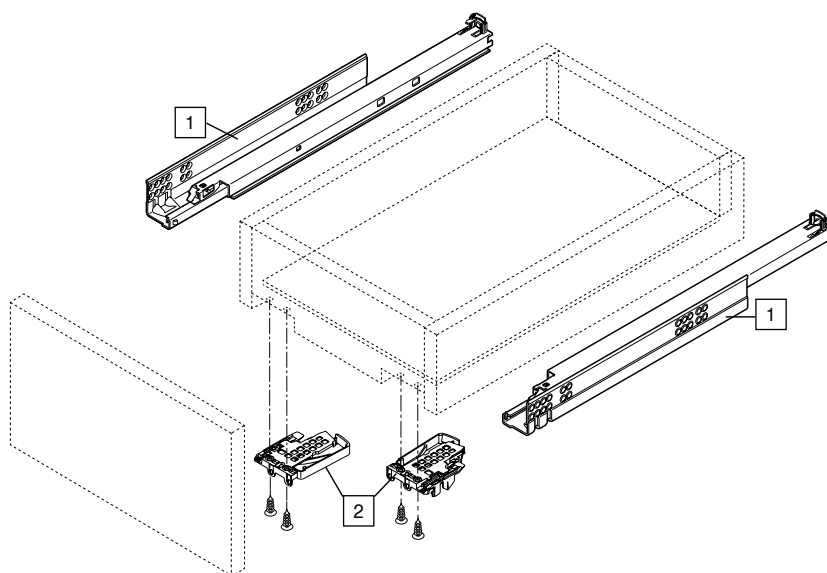
TANDEM runner Full extension (560H/566H)

30/50 kg

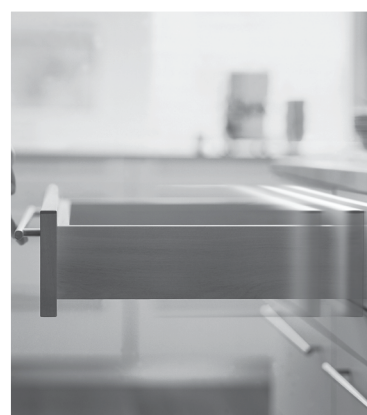
INSTALLATION
SHEET

 **blum**[®]

隐藏静音木抽导轨系列 30/50 kg - 全拉式



| Item | Qty | Unit | Description |
|------|-----|------|--|
| 1 | 1 | pair | TANDEM runner with BLUMOTION (Full extension) 隐藏静音木抽导轨系列 内置 BLUMOTION (全拉式) |
| 2 | 1 | set | Locking device (Left & Right) 接码 (左右) |



Planning / 设计

| | | | |
|--|--|--|------------------------------------|
| <p>Drawer/inner drawer 抽屉/内抽屉</p> <p>A = X - 42 mm</p> <p>A = Internal drawer width/内抽屉宽度 X = Internal carcass width/内箱体宽度</p> | <p>Space requirements in carcass 箱体内的空间需求</p> | <p>Drawer 抽屉</p> <p>DL - Drawer Length RL - Runner Length</p> | <p>Drawer assembly 抽屉装置</p> |
|--|--|--|------------------------------------|

Assembly / 安装指示

Locking device/固定器

| | | |
|-------------------------------|--------------------------------|--------------------------|
| | | |
| <p>Four-sided drawer 四面抽屉</p> | <p>Three-sided drawer/三面抽屉</p> | <p>Inner drawer/内低抽屉</p> |

Drawer insertion and removal/抽屉挂上和卸下

| | | | |
|---------------------|--|-------------------|--|
| | | | |
| <p>Insertion/挂上</p> | | <p>Removal/卸下</p> | |

Adjustment/调节

| | |
|---------------------------------------|---|
| | |
| <p>Height adjustment/调节高度: + 3 mm</p> | <p>560/566: tilt adjustment/借助导轨调节倾斜度</p> |