

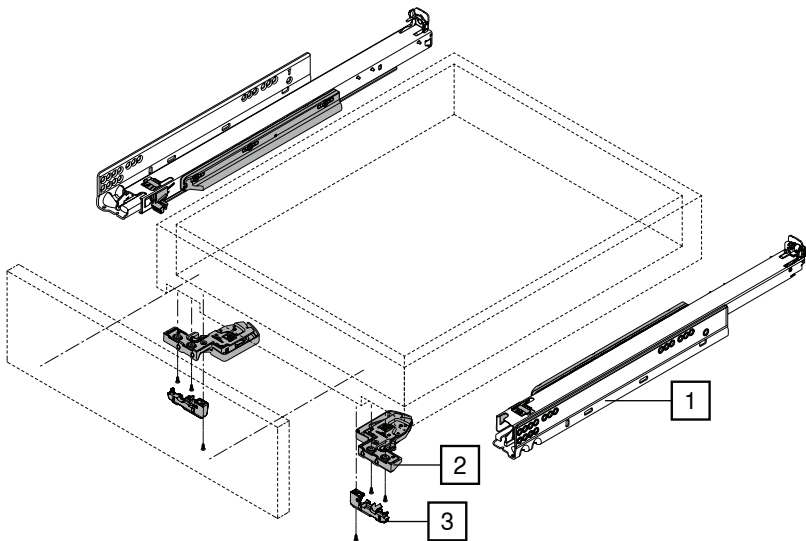
MOVENTO runner with BLUMOTION / TIP-ON BLUMOTION

INSTALLATION
SHEET

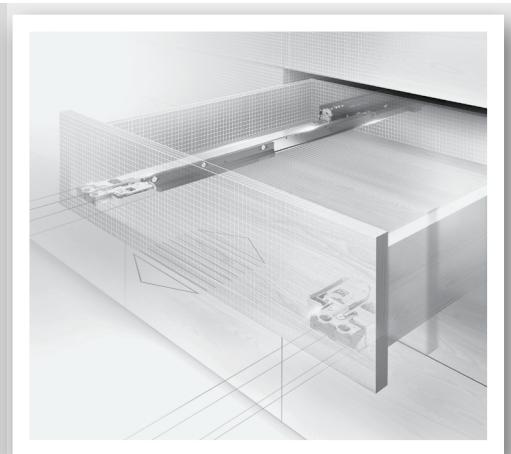
40/60 kg

 **blum**[®]

阻尼/阻尼碰碰开用于40/60 kg魔顺®全拉木抽导轨系列



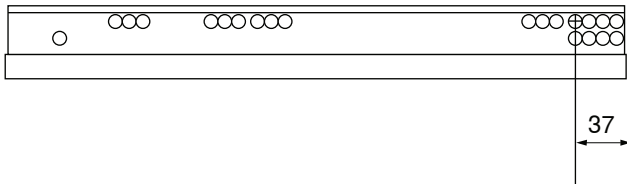
Item	Qty	Unit	Description
1	2	pcs	BLUMOTION / TIP-ON BLUMOTION runner (left/right) 铁路 (左/右)
2	2	pcs	Locking device (left/right) 接码 (左/右)
3	2	pcs	Depth adjustment (left/right) optional 深度调节器 (左/右)



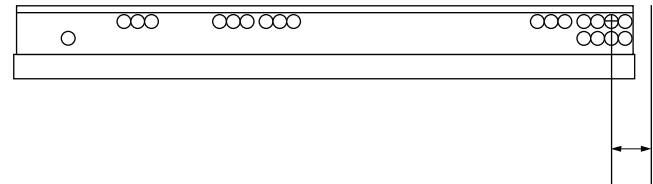
Planning / 设计

Cabinet profile screw positions / 铁路螺丝位子

Standard drawer / 普通抽屉

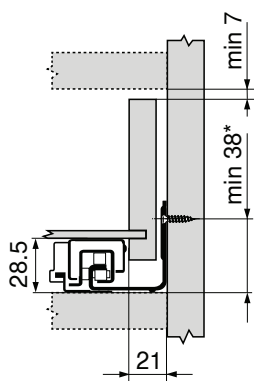


Inner drawer / 内抽屉



21 + front thickness

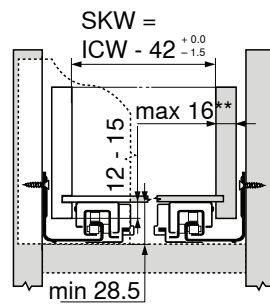
Space requirements in carcase / 抽屉内的空间需求



+ 1 mm for assembly of the cabinet profile on the horizontal cabinet side

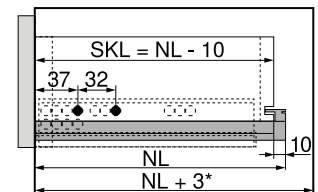
* 如果抽屉底有木板, 请加1mm

Drawer/Inner drawer / 抽屉后面板



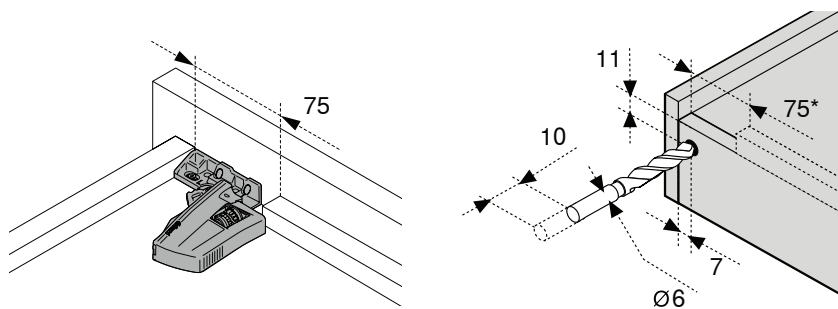
SKW - Inner drawer width / 内橱宽度
ICW - Inner cabinet width / 内抽屉宽度

Drawer / 抽屉边板



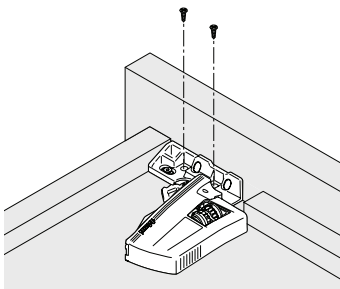
SKL - Drawer length
NL - Nominal length
+ an extra 12 mm with side stabiliser

Drawer assembly / 锁定器组合

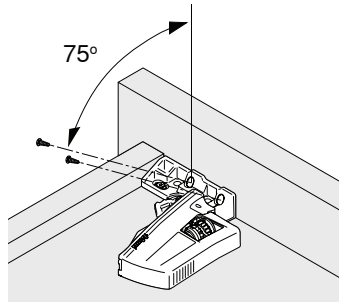


Assembly, Removal and Adjustment / 组合, 安装与拆卸

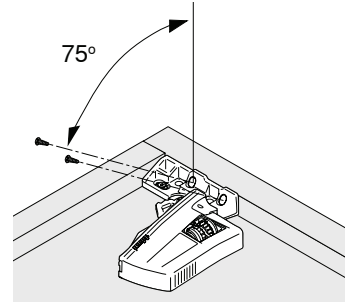
Locking Device / 锁定器



Four-sided drawer

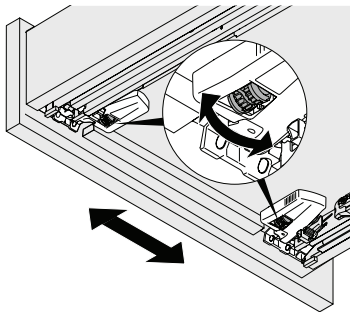


Three-sided drawer

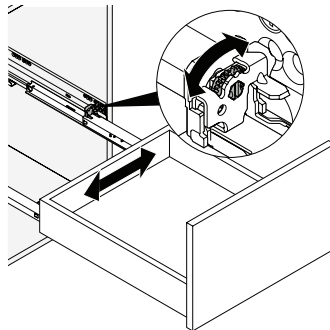


Inner drawer

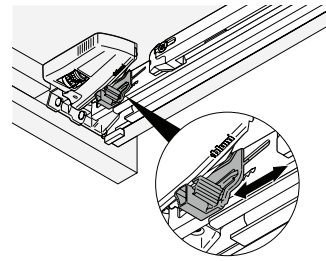
Adjustment / 左右调节



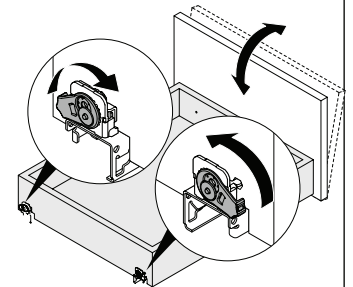
Side adjustment on both sides via the locking device $\pm 1.5\text{mm}^*$



Balance side adjustment via the right, back runner

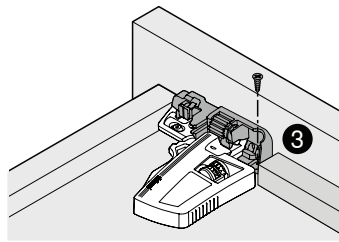
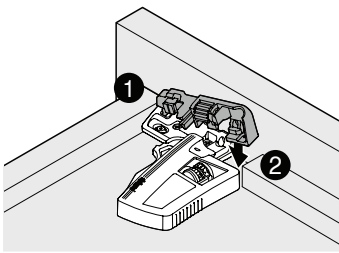


Height adjustment + 3mm

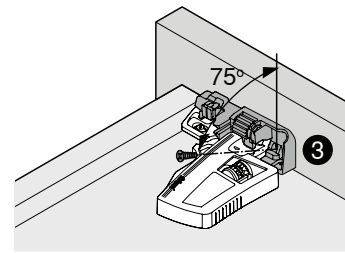


Tilt adjustment

OPTIONAL: Depth adjustment / 自选: 深度调节

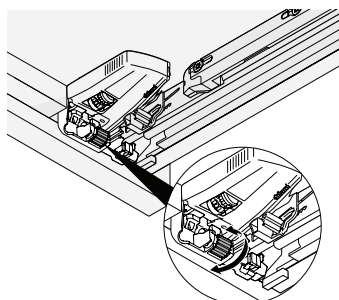


Four-sided drawer



Three-sided drawer

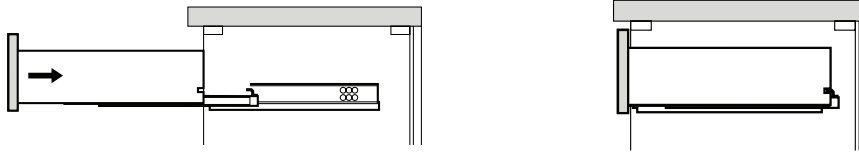
Depth adjustment / 深度调节



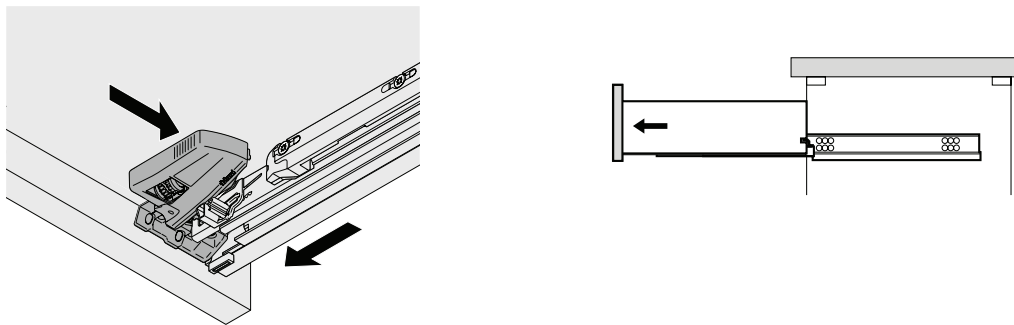
Depth adjustment $\pm 1.5\text{mm}^*$
MOVENTO with BLUMOTION /
TIP-ON BLUMOTION

Assembly and Removal / 安装与拆卸

Assembly / 安装



Removal / 与拆卸



Julius Blum GmbH
Furniture Fittings Mfg.
6973 Hoechst, Austria
Tel.: +43 5578 705-0
Fax: +43 5578 705-44
E-Mail: info@blum.com
www.blum.com
connect.blum.com

 **blum**[®]