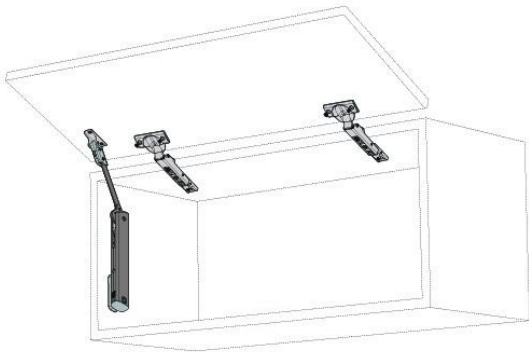




# AVENTOS HK-XS



# FAQ

## Quick facts:

- Well-suited for low frontal heights in the wall cabinet or above the fridge
- Light operating forces
- Variable stop available (stops at any opening position)
  
- Country of origin: Austria
- Motion technologies: BLUMOTION, TIP-ON
- Material / Finish: Steel / Zinc plated
  
- Cabinet width: Depends on Power Factor
- Cabinet height: 240 - 600 mm
- Internal minimum depth: 125 mm

## FAQ sections:

[Basic Product Information](#)

[Technical information](#)

[Trouble shooting](#)

## What is AVENTOS HK-XS?

AVENTOS HK-XS is a single panel lift-up system **for small top wall cabinets**.

- The **compact design** of AVENTOS HK-XS means that cabinets with **small internal depths** (125mm) can be equipped easily.
- The **symmetrical lift mechanism** can be used **single sided or on both sides** of the cabinet.
- AVENTOS HK-XS can be used for a **wide range of applications** and offers a high level of design freedom.

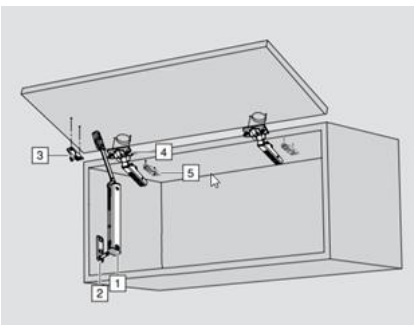
## What material is AVENTOS HK-XS made of?

AVENTOS HK-XS is made of **steel with Nickel plated coating**.

The hinges required for AVENTOS HK-XS are made of steel with BCOR coating (Blum Corrosion Resistance)

## What are the parts included in an AVENTOS HK-XS set?

An AVENTOS HK-XS set comes with **one lift-up arm** and **2 sets of 107-degree CLIP top BLUMOTION hinges** in BCOR finish.



1. Arm
2. Cabinet fixing
3. Front fixing bracket
4. Hinge
5. Mounting plate



## Can I use other hinges

It is **not advisable** to use hinges other than the ones provided with the AVENTOS HK-XS set.

Blum **cannot guarantee the performance of the lift system** and the product **warranty will be voided**.

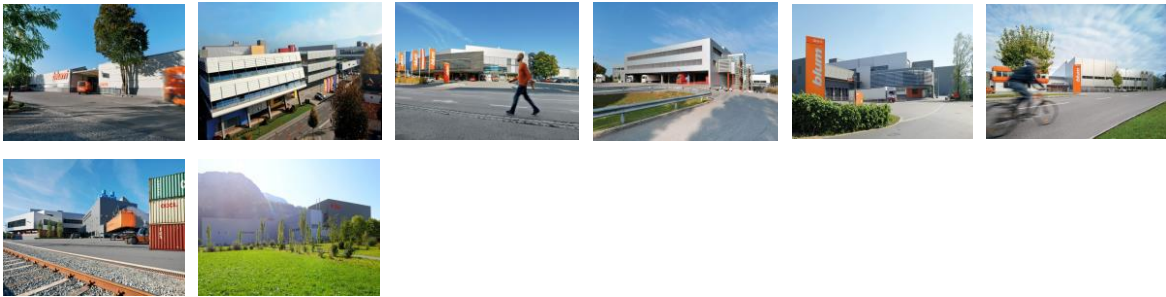


# Basic product info

## What is the **country of origin**?

AVENTOS HK-XS is made in 1 of our **8 factories in Austria**.

[Right-click here](#) to learn more about our factories in Austria.



## What is the **warranty** for AVENTO HK-XS?

**All Blum mechanical products come with a lifetime warranty.**

Please [Right-click here](#) to download our warranty declaration or read our general T&Cs regarding our warranty at the end of this document.

## How is AVENTOS HK-XS **tested**?

All AVENTOS lift systems are tested for **80,000 opening and closing cycles**.

[Right-click here](#) to learn more about Blum Quality and how we test our products.

## Where can I find **more information about AVENTO HK-XS**?

1. You can [Right-click here](#) to open the AVENTOS HK-XS page on **blum.com**
2. You can also find many **application images** on **connect.blum.com**.  
[Right-click here](#) to see how AVENTOS HK-XS can be applied to various places around your home.



# Basic product info

## What door panel materials can I use for AVENTOS HK-XS?

**Wood material** or **Aluminium frames** are compatible with AVENTOS HK-XS



Wooden fronts



Aluminium fronts\*

## Can I use AVENTOS HK-XS for thin (narrow) aluminium frames as well?

**Yes\***, but you need to purchase a **different front attachment**.

The standard attachment that comes in the set can only be used for wooden doors and wide aluminium frames.

	<b>Front fixing bracket set</b>	
	<b>Version</b>	<b>Part no.</b>
	Narrow alu frames	<b>20K4A00A02</b>

\*For heavy door applications it is recommended to use a stronger lift mechanism as heavier materials might exceed the power factor range of AVENTOS HK-XS. Kindly check with a Blum representative for more info.



# Basic product info

## Can I use AVENTOS HK-XS for **handle-less designs**?

**Yes!** There are 2 options for you to achieve this.

1. The **door can be designed to overlay the bottom of the cabinet**. This way you create a latch that can be used as a handle to open the door.
2. You can choose the **TIP-ON mechanism**. A light press on the door panel will push the door slightly open so that it can be further opened by hand.

## What **motion technologies** does AVENTOS HK-XS offer?

AVENTOS HK-XS comes in soft closing (**BLUMOTION**) and push to open (**TIP-ON**) versions.

- **BLUMOTION** is for **soft closing** solutions – normally when the door is fitted with a handle.
- **TIP-ON** is for **handle-less** designs. The door opens with a light push against the door panel



## Can I **open and close** AVENTOS HK-XS **electronically**? (SERVO-DRIVE)

**No.** AVENTOS HK-XS does not have a SERVO-DRIVE option.





## Basic product info

### Why is AVENTOS HK-XS a **better solution** than gas-piston lift-ups?

THE AVENTOS HK-XS has several advantages over gas-piston lift-ups.

- The variable stop allows the lift system to stop at any angle. The door remains exactly where you want it to, so it is always within easy reach.
- AVENTOS HK-XS **closes softly and effortlessly** with CLIP top BLUMTION hinges.
- AVENTOS HK-XS is built **with proven Blum quality** that stands for high stability and durability.
- AVENTOS HK-XS is the **ideal replacement for existing gas-piston lift-ups**.

### Can I **replace existing gas-pistons** with AVENTOS HK-XS

**Yes.** AVENTOS HK-XS is suitable to replace existing gas-pistons as the existing hinge holes can be used for AVENTOS HK-XS hinges too!

### Can I use AVENTOS HK-XS if there is a **beam behind my wall cabinet**?

**Yes.** As long as there is a minimum of 125mm (100mm for special applications) available, you can use AVENTOS HK-XS

## Does AVENTOS HK-XS support **Variable Stop (Stop in any position)**

**Yes.** AVENTOS HK-XS supports **Variable stop**.

- As long as you have **selected the correct lift mechanism** and adjusted the power factor precisely to the weight of the front, AVENTOS HK-XS remains exactly where you want it to, so it is always within easy reach.



## How do I **maintain** my AVENTOS HK-XS?

**Blum products are generally maintenance-free.**

However, during assembly and usage of Blum products, it is inevitable that stains or other kinds of contamination will appear on the product or its surfaces.

When cleaning, make sure to treat the protective areas and materials with care. Avoid applying abrasive chemicals as they will cause damage to the product.



For more information on cleaning and general maintenance instructions, please [Right-click here](#) to download our **“Cleaning and maintenance”** manual.

## What is the **min/max door height** for AVENTOS HK-XS?

The **minimum door height** is 240mm.

The **maximum door height** is 600mm.

Exceeding the maximum door height of 600mm will cause the variable stops and soft-closing to malfunction.



## What is the **max door width** for AVENTOS HK-XS?

The maximum door width is determined by the **Power Factor** calculation.

The **Power Factor** calculation is necessary to determine the correct strength of the lift mechanism.

## Can I design my cabinet **outside of the min/max specifications**?

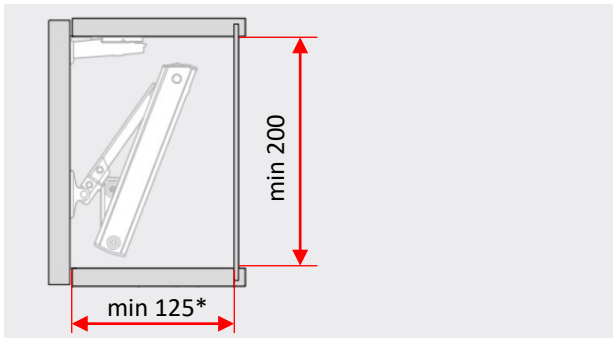
**No!** AVENTOS HK-XS will not be able to function properly if the cabinet dimension are exceeding the specifications stated by Blum.

Furthermore, **the warranty might be voided** as it is considered as “**not used for the products intended purpose**”



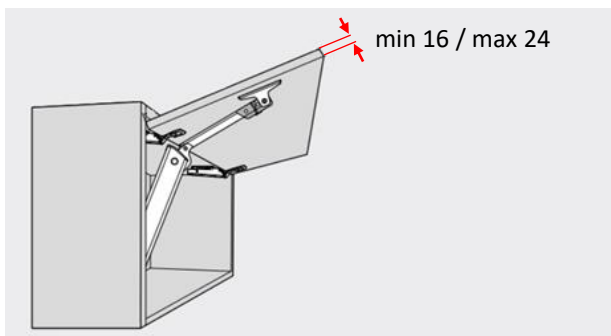
## What are the **minimum internal carcass dimensions**

The **minimum internal carcass height is 200mm.** \*(100mm special application possible)  
The **minimum internal carcass depth is 125mm**



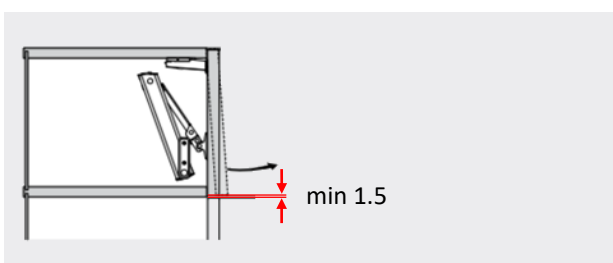
## What is the **min/max door panel thickness** for AVENTOS HK-XS

The recommended door panel thickness ranges from **min 16mm to max 24mm.**



## What is the recommended **minimum bottom gap**?

The minimum bottom gap is **1.5mm**



You need to allow for a minimum of 1.5mm at the bottom of the door to avoid obstruction when opening.

## What is a **Power Factor** and why do I need it

The **Power Factor** is a **formula** to determine what strength of mechanism is required for your cabinet design.

Cabinets come in many different heights and widths. Also, the door panels come in many different materials and thicknesses.

All the above have an influence on the strength of the mechanism needed for your cabinet door to be able to stop at any angle or opening position.

## How do I calculate the **Power Factor**?


The **Power Factor** can be calculated with the following formula :-

**Door Height** in mm \* (**Door Weight** in kg + **Double handle weight** in kg)


## How do I choose the correct AVENTOS HK-XS mechanism

Once you know your Power Factor you can select the correct one from our list below:-

### BLUMOTION 3 mechanisms

	Power factor LF	Part no.
	200–1000	20K1101
	500–1500	20K1301
	800–1800	20K1501

### TIP-ON 3 mechanisms

	Power factor LF	Part no.
	180–800	20K1101T
	500–1200	20K1301T
	800–1600	20K1501T

## What happens if I choose the **wrong Power Factor** for my door?

The **Variable Stop function will not work.**

- If the **Power Factor is too strong**, the door will not stay when you let go and flip open all the way.
- If the **Power Factor is too weak**, the door will not stay in the position and will close again by itself.

## When do I need a **second AVENTOS HK-XS arm**?

You only need a **second arm** if the **maximum Power Factor for a single arm is exceeded**.

- The maximum Power Factor for a single **BLUMOTION** arm is **1800**
- The maximum Power Factor for a single **TIP-ON** arm is **1600**

However, there may be other factors, such as extremely wide doors, heavy door materials or special applications where a second arm is needed. **Adding a second arm doubles the Power Factor!**

**Please note:** The standard AVENTOS HK-XS set only includes one arm. If an additional arm is required, you need to purchase an additional AVENTOS HK-XS set.



## When do I need **more than two hinges**?

**3 hinges are required** when your door is **wider than 900mm** or your **Power Factor is more than 1800**.

**4 hinges are required** when your door is **wider than 1200mm** or your **Power Factor is more than 2700**.

**Please note:** The standard AVENTOS HK-XS set only includes two hinges. If you need extra hinges, you need to purchase them separately.



## When I choose to use a **TIP-ON** solution – what extra items do I need?

You need to purchase an extra set of short TIP-ON mechanism. The TIP-ON mechanism is not part of the AVENTOS HK-XS set.

TIP-ON sets are available in 3 different colors – **Silk white, Light grey and Deep grey**



Silk white



Light grey



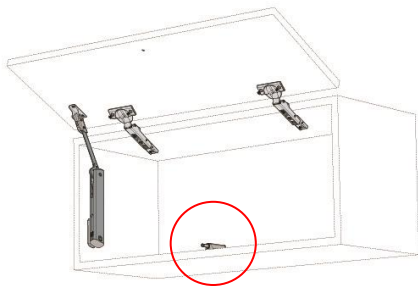
Deep grey

**Please note:** TIP-ON **short version** (shown above) is required for doors of up to 500mm height. For door heights of more than 500mm the TIP-ON **long version** is required.

## How many **TIP-ON** mechanisms do I need **per door panel**?

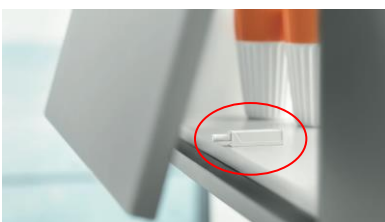
**You only need 1 set**, no matter how wide the door.

The best position to install the TIP-ON mechanism is in the center of the cabinet



## What types of **TIP-ON** mechanisms are available?

There are 2 versions: **Drill-on** (surface adapter) and **Drill-in** (concealed)



Drill-on



Drill-in

## Can I use a **BLUMOTION AVENTOS HK-XS** with a **TIP-ON** set?

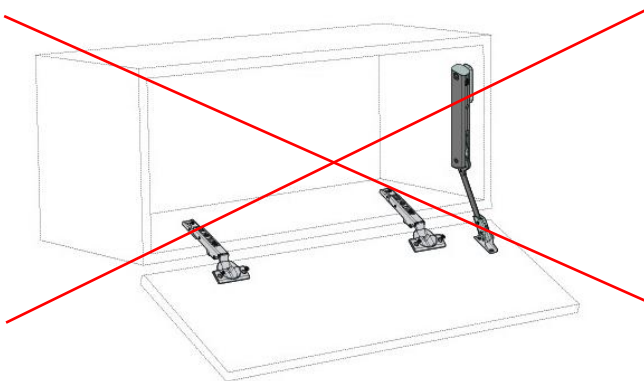
**No!** This does not work.

The BLUMOTION soft closing mechanism will work against the push to open TIP-ON mechanism. These 2 mechanisms cannot be used in conjunction with each other.

## Can AVENTOS HK-XS be **opened downward?** (**Flip-Down**)

**No!** AVENTOS HK-XS is not designed for this. It can only be used as a lift-up solution.

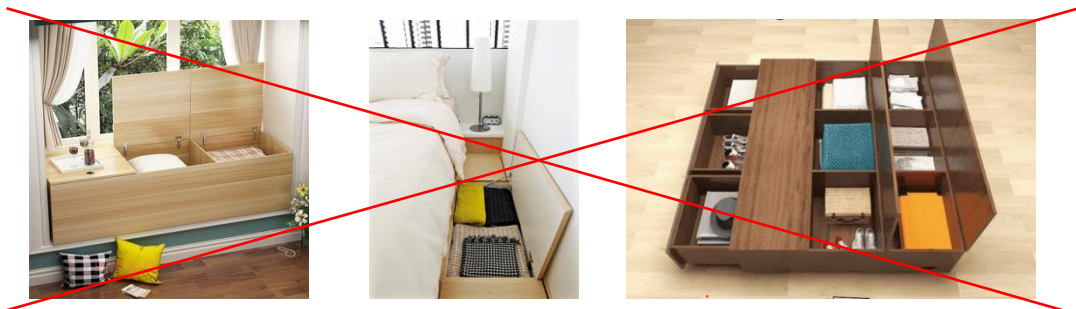
Using it in a flip-down application **will void the warranty!**



## How about Platform beds, Dressing tables and Settees?

**No!** AVENTOS HK-XS is **only designed for lift-up solutions** in wall cabinets.

It will not work for the above-mentioned applications as gravitational forces will not allow the mechanism to stop at any angle.





## Trouble shooting

### What can be done to **prevent AVENTOS HK-XS to hit objects above it?**

In the case that the door panel hits the ceiling or other objects above it when fully opened, you can insert an **angle stopper** into the arm to reduce the standard opening angle of 105-degrees.

The standard AVENTOS HK-XS set includes 2 pieces of 107-degree CLIP top BLUMOTION hinges. These hinges are compatible with the **86-degree angle stopper** as shown below.



### My **TIP-ON** keeps opening and **does not stay closed**. Why?

Please check if the **catch plate** has been installed **on the door panel**.

The catch plate is **magnetic** and will prevent the door from opening again once closed.



### Even if I **press very hard**, my TIP-ON door is very **difficult to open**.

Each TIP-ON mechanism has a **depth-adjustment**.

Please **adjust it to provide a bigger gap** between the door panel and the carcass.



## Why does my Lift System **rise or fall** when I let go of the door?

There may be two possible reasons for the door panel not to stop at the desired opening position.

1. The mechanism is **not suitable for the door height and weight** – **Wrong Power factor chosen!**
2. The **Power Factor has not been adjusted properly** – this can be corrected easily by adjusting the screw inside the AVENTOS HK-XS arm.



## Can I **exchange the product after installation?**

**No.** Once the product was installed, it is no longer eligible to be returned, exchanged or refunded.



# Trouble shooting

## How do I make sure that my lift fitting is **really a Blum product**

You can **identify each Blum product by the small Blum logo** stamped or printed on it.

- To **identify an original Blum AVENTOS HK-XS** look for the Blum logo in the arm.
- To **identify other Blum products** [Right-click here](#)



## Under what circumstances will the **warranty not be given?**

Blum warranty does not cover hardware which has been incorrectly installed and/or used in any manner contrary to its intended purpose. The warranty will also not be given if the door dimensions are not according to AVENTOS HK-HS' specifications and/or the door weight does not match to the correct mechanism.

Please take note that the warranty is for part replacement only. It does not include removal and/or installation of new hardware.

As long as your AVENTOS HK-XS is **installed according to the Blum installation instructions** your **warranty is intact**.

- Please make sure that **all dimensions** mentioned in the Technical Section of this FAQ are **strictly observed**.
- To download the AVENTOS HK-XS **Installation manual please** [Right-click here](#)  
Then go to the "*Downloads*" section and look for the Installation information.