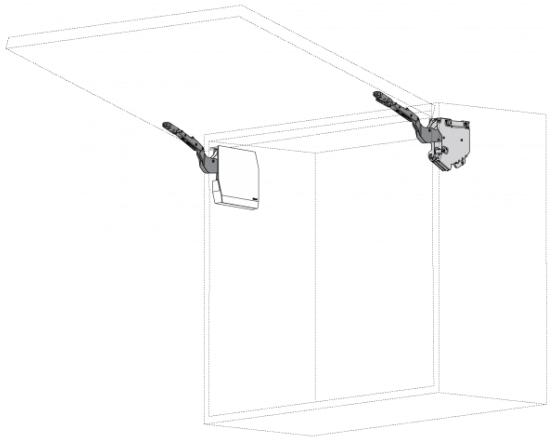




AVENTOS HK-S



FAQ

Quick facts:

- Well-suited for low frontal heights in the wall cabinet or above the fridge
- Light operating forces
- Variable stop available (stops at any opening position)

- Country of origin: Austria
- Motion technologies: BLUMOTION, TIP-ON
- Material / Finish: Steel / Zinc plated with cover caps in 3 different colors

- Cabinet width: up to 1800mm (depending on the Power Factor)
- Cabinet height: from 180mm to 600 mm

FAQ sections:

[Basic Product Information](#)

[Technical information](#)

[Trouble shooting](#)

What is AVENTOS HK-S?

AVENTOS HK-S is a lift-up system **for small top wall cabinets** and fitted units.

The AVENTOS HK-S stay lift allows you to make optimal use of the storage space available, e.g., above refrigerators or larder units. The compact lift mechanism fits snugly into small cabinets.

What material is AVENTOS HK-S made of?

The mechanism of AVENTOS HK-S is made of **steel with Nickel plated coating**.

What colors is AVENTOS HK-S available in?

The cover caps of AVENTOS HK-S are available in **3 different colors**:-



Silk white



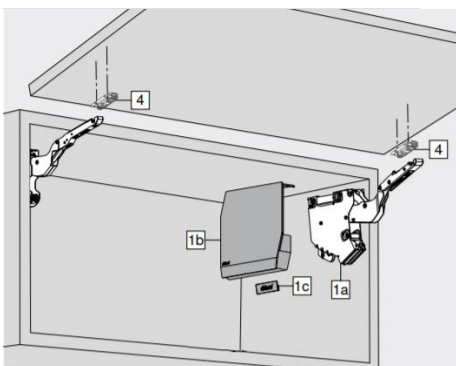
Light grey



Deep grey

What are the parts included in an AVENTOS HK-S set?

An AVENTOS HK-S set comes with **2 lift mechanisms** (symmetrical), **2 cover caps** (L&R), **2 Blum logo caps** and **2 mounting plates**.



- 1a. Lift mechanism
- 1b. Cover cap
- 1c. Blum cover cap
- 4. Mounting plate



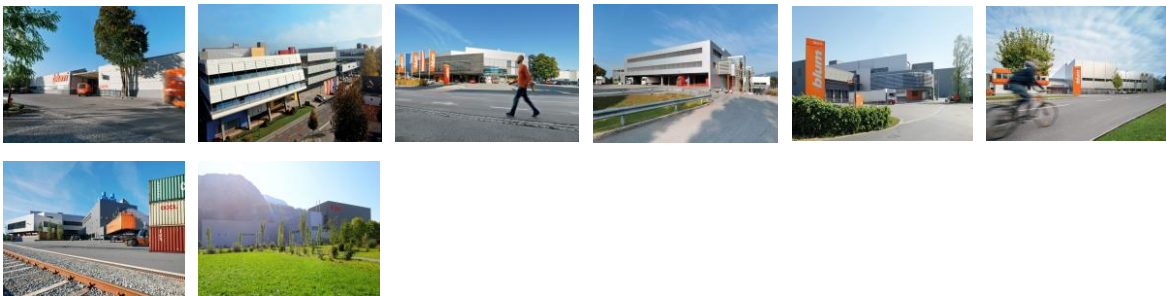


Basic product info

What is the **country of origin**?

AVENTOS HK-S is made in 1 of our **8 factories in Austria**.

[Right-click here](#) to learn more about our factories in Austria.



What is the **warranty** for AVENTO HK-S?

All Blum mechanical products come with a lifetime warranty.

Please [Right-click here](#) to download our warranty declaration or read our general T&Cs regarding our warranty at the end of this document.

How is AVENTOS HK-S **tested**?

All AVENTOS lift systems are tested for **80,000 opening and closing cycles**.

[Right-click here](#) to learn more about Blum Quality and how we test our products.

Where can I find **more information about AVENTO HK-S**?

1. You can [Right-click here](#) to open the AVENTOS HK-S page on **blum.com**
2. You can also find many **application images** on **connect.blum.com**.
[Right-click here](#) to see how AVENTOS HK-S can be applied to various places around your home.



Basic product info

What door panel materials can I use for AVENTOS HK-S?

Wood material or **Aluminium frames** are compatible with AVENTOS HK-S



Wooden fronts




Aluminium fronts

Can I use AVENTOS HK-S for thin (narrow) aluminium frames as well?

Yes, but you need to purchase a **different front attachment**.

The standard attachment that comes in the set can only be used for wooden doors and wide aluminium frames.

Front fixing bracket set		
	Version	Part no.
	Narrow alu frames	20K4A00A02

Do I need to **add hinges** for AVENTOS HK-S?

No! Hinges are **not necessary** for AVENTOS HK-S.





Basic product info

Can I use AVENTOS HK-S for **handle-less designs**?

Yes! There are 2 options for you to achieve this.

1. The **door can be designed to overlay the bottom of the cabinet**. This way you create a latch that can be used as a handle to open the door.
2. You can choose the **TIP-ON mechanism**. A light press on the door panel will push the door slightly open so that it can be further opened by hand.

What **motion technologies** does AVENTOS HK-S offer?

AVENTOS HK-S comes in soft closing (**BLUMOTION**) and push to open (**TIP-ON**) versions.

- **BLUMOTION** is for **soft closing** solutions – normally when the door is fitted with a handle.
- **TIP-ON** is for **handle-less** designs. The door opens with a light push against the door panel



Can I **open and close AVENTOS HK-S electronically**? (SERVO-DRIVE)

No. AVENTOS HK-S does not have a SERVO-DRIVE option.



Does AVENTOS HK-S support **Variable Stop (Stop in any position)**

Yes. AVENTOS HK-S supports **Variable stop**.

- As long as you have **selected the correct lift mechanism** and adjusted the power factor precisely to the weight of the front, AVENTOS HK-S remains exactly where you want it to, so it is always within easy reach.



How do I **maintain** my **AVENTOS HK-S**?

Blum products are generally maintenance-free.

However, during assembly and usage of Blum products, it is inevitable that stains or other kinds of contamination will appear on the product or its surfaces.

When cleaning, make sure to treat the protective areas and materials with care. Avoid applying abrasive chemicals as they will cause damage to the product.



For more information on cleaning and general maintenance instructions, please [Right-click here](#) to download our **“Cleaning and maintenance”** manual.

What is the **max door height** for AVENTOS HK-S?

The **minimum door height** is **180mm**
The **maximum door height** is **600mm**.

Exceeding the maximum door height of 600mm will cause the variable stops and soft-closing to malfunction.



What is the **max door width** for AVENTOS HK-S?

The maximum door width is **up to 1800mm** (depending on the **Power Factor**).

The **Power Factor** calculation is necessary to determine the correct strength of the lift mechanism.

Can I design my cabinet **outside of the min/max specifications**?

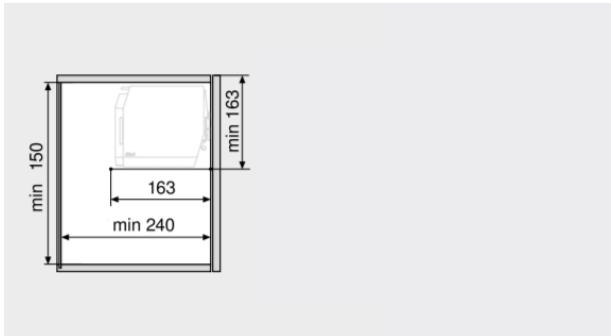
No! AVENTOS HK-S will not be able to function properly if the cabinet dimension are exceeding the specifications stated by Blum.

Furthermore, **the warranty might be voided** as it is considered as “**not used for the products intended purpose**”

What are the **minimum internal carcass dimensions**

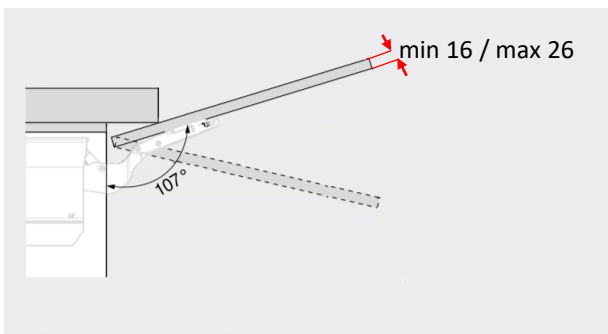
The **minimum internal carcass height is 150mm**

The **minimum internal carcass depth is 240mm**



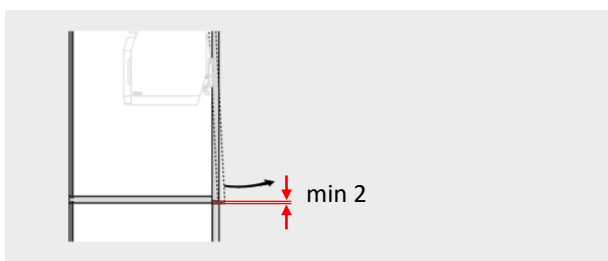
What is the **min/max door panel thickness**

The recommended door panel thickness ranges from **min 16mm to max 26mm**



What is the recommended **minimum bottom gap?**

The minimum bottom gap is **2mm**



You need to allow for a smallest of 2mm at the bottom of the door to avoid obstruction when opening.

What is a **Power Factor** and why do I need it

The **Power Factor** is a **formula** to determine what strength of mechanism is required for your cabinet design.

Cabinets come in many different heights and widths. Also, the door panels come in many different materials and thicknesses.

All the above have an influence on the strength of the mechanism needed for your cabinet door to be able to stop at any angle or opening position.

How do I calculate the **Power Factor**?


The **Power Factor** can be calculated with the following formula :-

Door Height in mm * (**Door Weight** in kg + **Double handle weight** in kg)


How do I choose the correct AVENTOS HK-S mechanism

Once you know your Power Factor you can select the correct one from our list below:-

BLUMOTION 3 mechanisms

	Power factor LF	Part no.
	220–500	20K2B00.06
	400–1000	20K2C00.06
	960–2215	20K2E00.06

TIP-ON 3 mechanisms

	Power factor LF	Part no.
	220–500	20K2B00T06
	400–1000	20K2C00T06
	960–2215	20K2E00T06

What happens if I choose the **wrong Power Factor** for my door?

The **Variable Stop function will not work.**

- If the **Power Factor is too strong**, the door will not stay when you let go and flip open all the way.
- If the **Power Factor is too weak**, the door will not stay in the position and will close again by itself.

When I choose to use a **TIP-ON** solution – what extra items do I need?

You need to purchase an extra set of short TIP-ON mechanism. The TIP-ON mechanism is not part of the AVENTOS HK-S set.

The TIP-ON set is available in 3 different colors – **Silk white**, **Light grey** and **Deep grey**



Silk white



Light grey



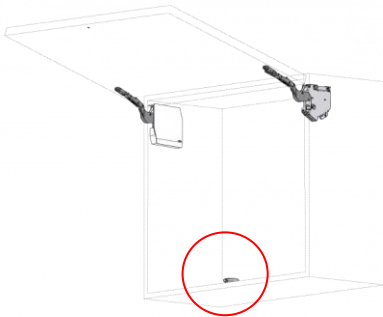
Deep grey

Please note: TIP-ON **short version** (shown above) is required for doors of up to 500mm height. For door heights of more than 500mm the TIP-ON **long version** is required.

How many **TIP-ON** mechanisms do I need **per door panel**?

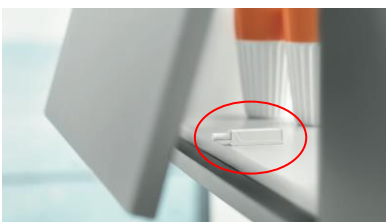
You only need 1 set, no matter how wide the door.

The best position to install the TIP-ON mechanism is in the center of the cabinet



What types of **TIP-ON** mechanisms are available?

There are 2 versions: **Drill-on** (surface adapter) and **Drill-in** (concealed)



Drill-on



Drill-in

How can I identify if my mechanism is a **BLUMOTION** or an **TIP-ON** set?

You can identify the motion technology of the mechanism from its label.



The **BLUMOTION** mechanism label indicates a **"C"**



The **TIP-ON** mechanism label indicates a **"CT"**

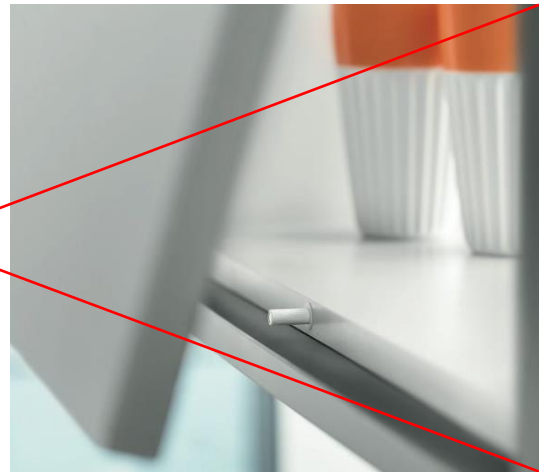
Can I use a **BLUMOTION** mechanism with a **TIP-ON** set?

No! This does not work.

The BLUMOTION soft closing mechanism will work against the push to open TIP-ON set. These 2 motion technologies cannot be used in conjunction with each other.



BLUMOTION mechanism

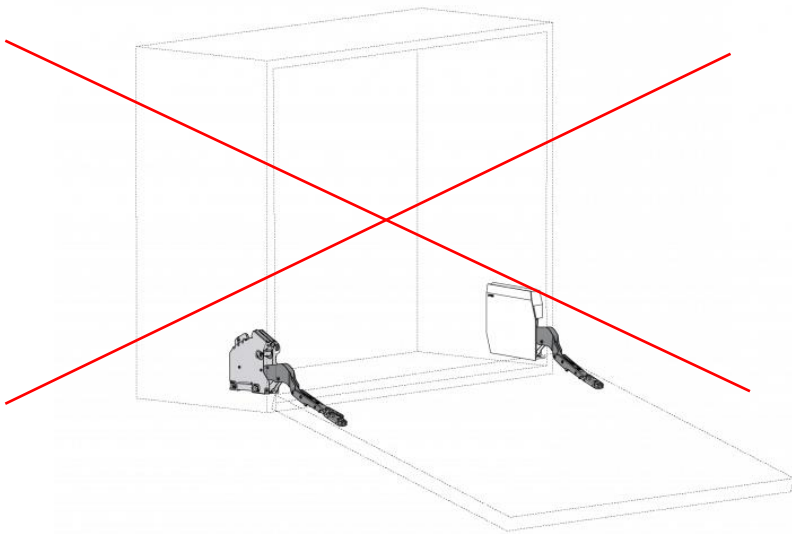


TIP-ON set

Can I use the AVENTOS HK-S for **Flip-Down** applications?

No! AVENTOS HK-S is not designed for this. It can only be used as a lift-up solution.

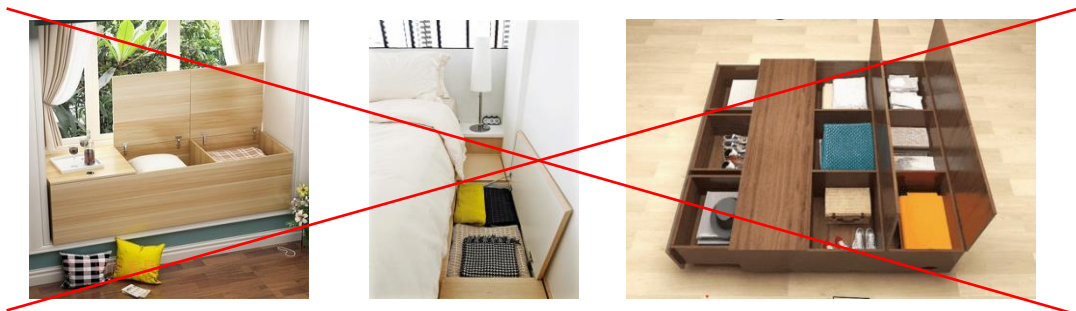
Using it in a flip-down application **will void the warranty!**



How about Platform beds, Dressing tables and Settees?

No! AVENTOS HK-S is **only designed for lift-up solutions** in wall cabinets.

It will not work for the above-mentioned applications as gravitational forces will not allow the mechanism to stop at any angle.



What can be done to **prevent AVENTOS HK-S to hit objects above it?**

In the case that the door panel hits the ceiling or other objects above it when fully opened, you can insert an **angle stopper** into the mechanism to reduce the standard opening angle of 107-degrees.



100°



75°

My **TIP-ON** keeps opening and **does not stay closed**. Why?

Please check if the **catch plate** has been installed **on the door panel**.

The catch plate is **magnetic** and will prevent the door from opening again once closed.



Even if I **press very hard**, my TIP-ON door is very **difficult to open**.

Each TIP-ON mechanism has a **depth-adjustment**.

Please **adjust it to provide a bigger gap** between the door panel and the carcass.



Why does my Lift System **rise or fall** when I let go of the door?

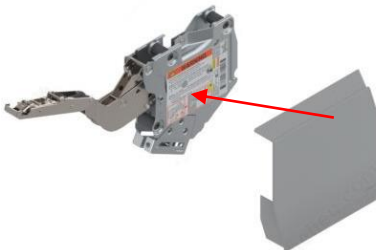
There may be two possible reasons for the door panel not to stop at the desired opening position.

1. The mechanism is **not suitable for the door height and weight** – **Wrong Power factor chosen!**
2. The **Power Factor has not been adjusted properly** – this can be corrected easily by adjusting the screw inside the AVENTOS HK-S arm.



Why does the **cover cap**, covering the mechanism, **fall off** all the time?

The “cover cap clip” might have been damaged during the installation. This happens due to mishandling of the product by forcing it to clip on and/or pulling it off with force to remove it.



Can I **exchange the product after Installation?**

No. Once the product was installed, it is no longer eligible to be returned, exchanged or refunded.

How do I make sure that my lift fitting is **really a Blum product**

You can **identify each Blum product by the small Blum logo** stamped or printed on it.

- To **identify an original Blum AVENTOS HK-S** look for the Blum logo in the arm or on the cover cap.
- To **identify other Blum products** [Right-click here](#)



Under what circumstances will the **warranty not be given?**

Blum warranty does not cover hardware which has been incorrectly installed and/or used in any manner contrary to its intended purpose. The warranty will also not be given if the door dimensions are not according to AVENTOS HK-S' specifications and/or the door weight does not match to the correct mechanism.

Please take note that the warranty is for part replacement only. It does not include removal and/or installation of new hardware.

As long as your AVENTOS HK-S is **installed according to the Blum installation instructions** your **warranty is intact**.

- Please make sure that **all dimensions** mentioned in the Technical Section of this FAQ are **strictly observed**.
- To download the AVENTOS HK-S **Installation manual** please [Right-click here](#), then go to the *"Downloads"* section and look for the Installation information.