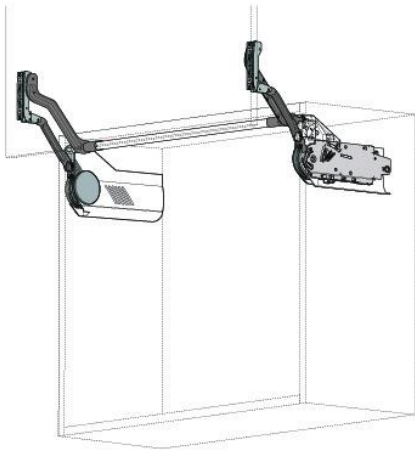




AVENTOS HL



FAQ

Quick facts:

- Well-suited for small area, single fronts that lift up parallel to the cabinet
- Light operating forces
- Variable stop available (stops at any opening position)

- Country of origin: Austria
- Motion technologies: BLUMOTION, SERVO-DRIVE
- Material / Finish: Steel / Zinc plated with cover caps in 3 different colors

- Cabinet width: up to 1800mm
- Cabinet height: from 300mm to 580mm

FAQ sections:

[Basic Product Information](#)

[Technical information](#)

[Trouble shooting](#)

What is AVENTOS HL?

AVENTOS HL lifts up small fronts parallel to the cabinet, making it the ideal solution for mid and high wall units with cabinets positioned above them.

The front moves up and out of the user's way so it can be left open during cooking.

What material is AVENTOS HL made of?

The mechanism of AVENTOS HL is made of **steel with Nickel plated coating**.

What colors is AVENTOS HL available in?

The cover caps of AVENTOS HL are available in **3 different colors**:-



Silk white



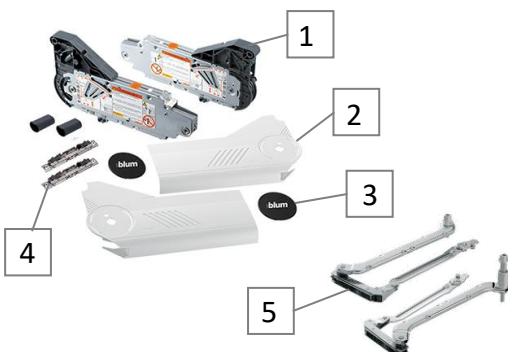
Light grey



Deep grey

What are the parts included in an AVENTOS HL set?

An AVENTOS HL set comes with **2 lift mechanisms** (symmetrical), **2 cover caps** (L&R), **2 Blum logo caps** and **2 mounting plates**.



1. Lift mechanism
2. Cover cap
3. Blum cover cap
4. Front fixing bracket
5. Lever arm

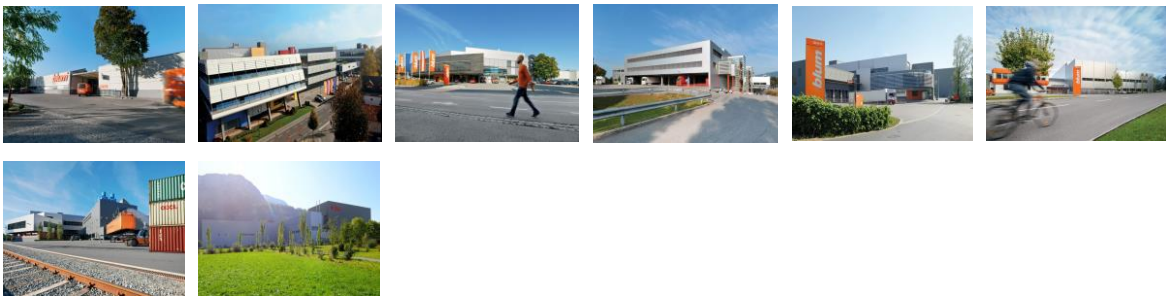


Basic product info

What is the **country of origin**?

AVENTOS HL is made in 1 of our **8 factories in Austria**.

[Right-click here](#) to learn more about our factories in Austria.



What is the **warranty** for AVENTO HL?

All Blum mechanical products come with a lifetime warranty.

Please [Right-click here](#) to download our warranty declaration or read our general T&Cs regarding our warranty at the end of this document.

How is AVENTOS HL **tested**?

All AVENTOS lift systems are tested for **80,000 opening and closing cycles**.

[Right-click here](#) to learn more about Blum Quality and how we test our products.

Where can I find **more information about AVENTO HL**?

1. You can [Right-click here](#) to open the AVENTOS HL page on **blum.com**
2. You can also find many **application images** on **connect.blum.com**.
[Right-click here](#) to see how AVENTOS HL can be applied to various places around your home.



Basic product info

What door panel materials can I use for AVENTOS HL?

Wood material or **Aluminium frames** are compatible with AVENTOS HL



Wooden fronts



Aluminium fronts

Can I use AVENTOS HL for thin (narrow) aluminium frames as well?

Yes, but you need to purchase a **different front attachment**.

The standard attachment that comes in the set can only be used for wooden doors and wide aluminium frames.

Front fixing bracket set		
	Version	
	Wooden fronts and wide alu frames	20S4200
	Narrow alu frames	20S4200A

Can I use AVENTOS HL for **handle-less designs**?

Yes! There are 2 options for you to achieve this.

1. The **door can be designed to overlay the bottom of the cabinet**. This way you create a latch that can be used as a handle to open the door.
2. You can also combine the **BLUMOTION** lift mechanism with the **SERVO-DRIVE** electrical motion support system.

What **motion technologies** does AVENTOS HL offer?

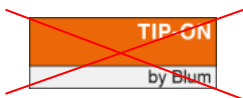
AVENTOS HL comes in soft closing **BLUMOTION** as well as with the electrical motion support system **SERVO-DRIVE**.

- **BLUMOTION** is for **soft closing** solutions – normally when the door is fitted with a handle.
- **SERVO-DRIVE** is for **handle-less** designs. The door opens with a light push against the door panel



Can I **open** AVENTOS HL with **TIP-ON**?

No. AVENTOS HL does not have a TIP-ON option.



Can I **still open** my SERVO-DRIVE AVENTOS HK-top if the **power is out**?

Yes! When the power goes out, SERVO-DRIVE for AVENTOS is not activated. However, you can continue to open and close manually without restrictions. Once the power has been restored, you can carry on using everything as normal without having to make any additional adjustments.



Basic product info

Does AVENTOS HL support **Variable Stop (Stop in any position)**

Yes. AVENTOS HL supports **Variable stop**.

- As long as you have **selected the correct lift mechanism** and adjusted the power factor precisely to the weight of the front, AVENTOS HL remains exactly where you want it to, so it is always within easy reach.



How do I **maintain** my **AVENTOS HL**?

Blum products are generally maintenance-free.

However, during assembly and usage of Blum products, it is inevitable that stains or other kinds of contamination will appear on the product or its surfaces.

When cleaning, make sure to treat the protective areas and materials with care. Avoid applying abrasive chemicals as they will cause damage to the product.



For more information on cleaning and general maintenance instructions, please [Right-click here](#) to download our **“Cleaning and maintenance”** manual.

What is the **min/max door height** for AVENTOS HL?

The **minimum door height** is 300mm.

The **maximum door height** is 580mm.

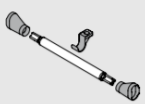
Exceeding the maximum door height of 580mm will cause the variable stops and soft-closing to malfunction.



What is the **max door width** for AVENTOS HL?

The maximum door width is **up to 1800mm**

Please take note! An additional piece of cross-stabilizer rod and connectors are needed for any door width exceeding 1190mm.

	Connecting piece set for cross stabiliser		
	From internal cabinet width 1190 mm		
	Diameter (mm)	Material	
Ø 16	Aluminium	20Q153ZA	

Can I design my cabinet **outside of the min/max specifications**?

No! AVENTOS HL will not be able to function properly if the cabinet dimension are exceeding the specifications stated by Blum.

Furthermore, **the warranty might be voided** as it is considered as “**not used for the products intended purpose**”

Does AVENTOS HL need a **Power Factor**?

No! the correct mechanism for AVENTOS HL is determined by the **exact height and weight** of the door panel.

How do I **choose the correct AVENTOS HL mechanism** and lever arms?

Before you choose the mechanism and the lever arms, you need the following information:-

1. Exact door **height in mm**
2. Exact door **weight in kg**

With this information you can choose the correct products from the chart below.

		Cabinet height (mm)				Lift mechanism
		300–349	350–399	400–550	450–580	
		Lever arm set				
BLUMOTION	<input type="checkbox"/>	20L3200	20L3500	20L3800	20L3900	
SERVO-DRIVE	<input checked="" type="checkbox"/>	21L3200	21L3500	21L3800	21L3900	
Weight of front incl. handle (kg)		1.25–4.25	1.25–2.50			20L2100
		3.50–7.25	1.75–5.00	1.75–3.50		20L2300
		6.50–12.00	4.25–9.00	2.75–6.75	2.00–5.25	20L2500
		11.00–20.00	8.00–14.75	5.75–11.75	4.25–9.25	20L2700
			13.50–20.00	10.50–20.00	8.25–16.50	20L2900

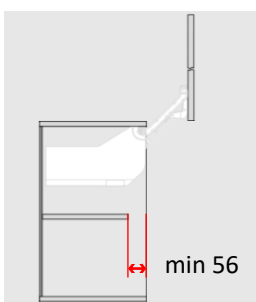
Please note! We will **NOT** be able to determine the weight of a door panel by just knowing its dimensions.

- Different door materials like glass, MDF, plywood etc. have different density and therefore different weight.

Can I have **shelving in the cabinet** when using AVENTOS HL?

Yes! Please take note that the shelf needs to be recessed by 56mm from the front.

This **gap is necessary** to allow for the space the **lever arm needs inside of the cabinet** when it is fully closed.

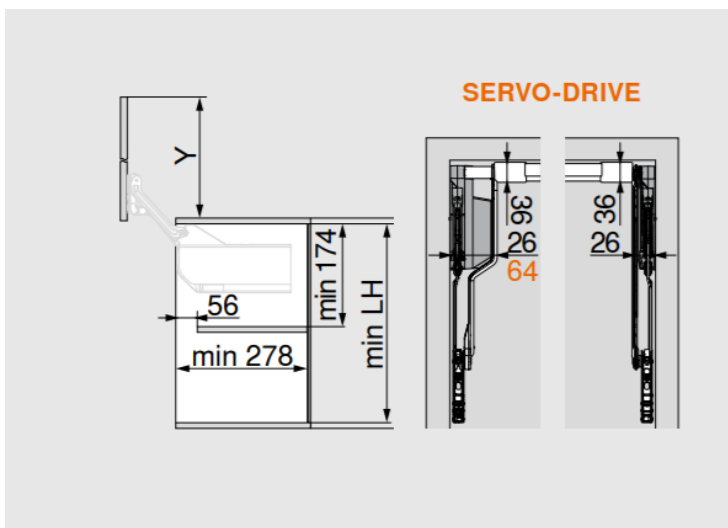


What are the **Space requirements** for installing AVENTOS HL

Minimum installation depth is 278mm

“**Y**” indicates the **Space requirement on top of the cabinet** when the door is fully opened.

“**LH**” indicates the **minimum internal cabinet height** needed.



Lever arm set		LH min. (mm)	Y (mm)
Standard	SERVO-DRIVE		
20L3200.06	21L3200.01	262	264
20L3500.06	21L3500.01	312	352
20L3800.06	21L3800.01	362	440
20L3900.06	21L3900.01	412	529

What is the **Space requirements in front of my cabinet?**

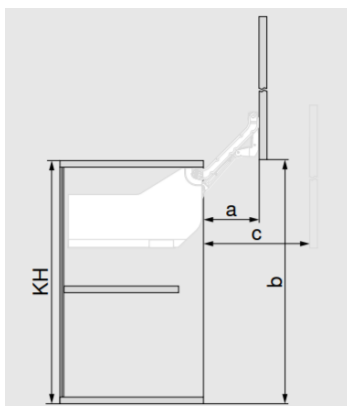
The Space requirement is **dependent on the lever arm**.

Please refer to “How to choose the correct mechanism and lever arm” on page 8

“**a**” indicates the distance **between carcass and door panel** when the door is fully opened.

“**b**” indicates the **maximum opening height** of the door.

“**c**” indicates the **total space required in front of the door panel**.

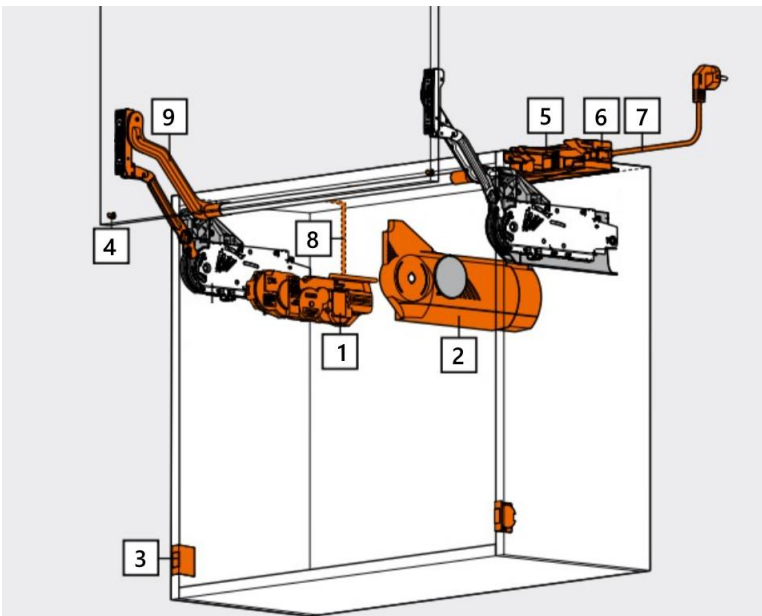


Lever arm set		a (mm)	b (mm) ¹	c max. (mm)
Standard	SERVO-DRIVE			
20L3200.06	21L3200.01	114	257	159
20L3500.06	21L3500.01	146	345	209
20L3800.06	21L3800.01	178	433	259
20L3900.06	21L3900.01	210	522	309

When I choose to use **SERVO-DRIVE** – what extra items do I need?

You need to purchase the following items marked in orange in addition to the AVENTOS HL BLUMOTION mechanism.

Please note: The lift mechanism and arm sets are the same regardless of whether AVENTOS HL is installed with SERVO-DRIVE or BLUMOTION only.



1. Drive unit
2. SERVO-DRIVE cover cap
3. SERVO-DRIVE switch
4. Distance bumpers
5. Transformer unit housing
6. SERVO-DRIVE transformer
7. Power cord
8. Distribution cable
9. Lever arm left

How many drive units do I need?

You only need **1 drive unit per cabinet**.

The drive unit is always mounted **on top of the left AVENTOS** mechanism,

How many SERVO-DRIVE switches do I need?

You need **2 switches per cabinet**. One on the **left side** and one on the **right side**.

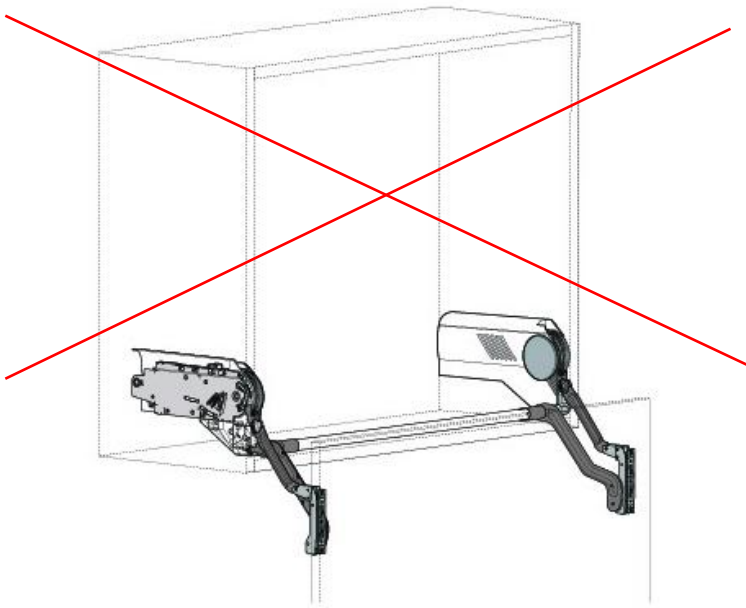
Do I need a SERVO-DRIVE transformer for every cabinet?

No! One Blum SERVO-DRIVE transformer can be shared across up to 16 AVENTOS drive units.

Can I use the AVENTOS HL for **Flip-Down applications**?

No! AVENTOS HL is not designed for this. It can only be used as a lift-up solution.

Using it in a flip-down application **will void the warranty!**



Why does my Lift System **rise or fall** when I let go of the door?

There may be two possible reasons for the door panel not to stop at the desired opening position.

1. The mechanism is **not suitable for the door height and weight** – **Wrong Power factor chosen!**
2. The **Power Factor has not been adjusted properly** – this can be corrected easily by adjusting Power Factor at the mechanism.



Why does the **cover cap**, covering the mechanism, **fall off** all the time?

The “cover cap clip” might have been damaged during the installation. This happens due to mishandling of the product by forcing it to clip on and/or pulling it off with force to remove it.



Can I **exchange the product after Installation?**

No. Once the product was installed, it is no longer eligible to be returned, exchanged or refunded.

How do I make sure that my lift fitting is **really** a Blum product

You can **identify each Blum product by the small Blum logo** stamped or printed on it.

- To **identify an original Blum AVENTOS HL** look for the Blum logo in the arm or on the cover cap.
- To **identify other Blum products** [Right-click here](#)



Why does my AVENTOS HL wobble when opening?

The main reason for this is either:

- a) the **stabilizer rod is missing**
- b) the **stabilizer rod cutting dimensions is incorrect**



AVENTOS HL does not open properly.



Stabilizer rod



Trouble shooting

Under what circumstances will the **warranty not be given?**

Blum warranty does not cover hardware which has been incorrectly installed and/or used in any manner contrary to its intended purpose. The warranty will also not be given if the door dimensions are not according to AVENTOS HL' specifications and/or the door weight does not match to the correct mechanism.

Please take note that the warranty is for part replacement only. It does not include removal and/or installation of new hardware.

As long as your AVENTOS HL is **installed according to the Blum installation instructions** your **warranty is intact**.

- Please make sure that **all dimensions** mentioned in the Technical Section of this FAQ are **strictly observed**.
- To download the AVENTOS HL **Installation manual** please [Right-click here](#), then go to the "*Downloads*" section and look for the Installation information.