

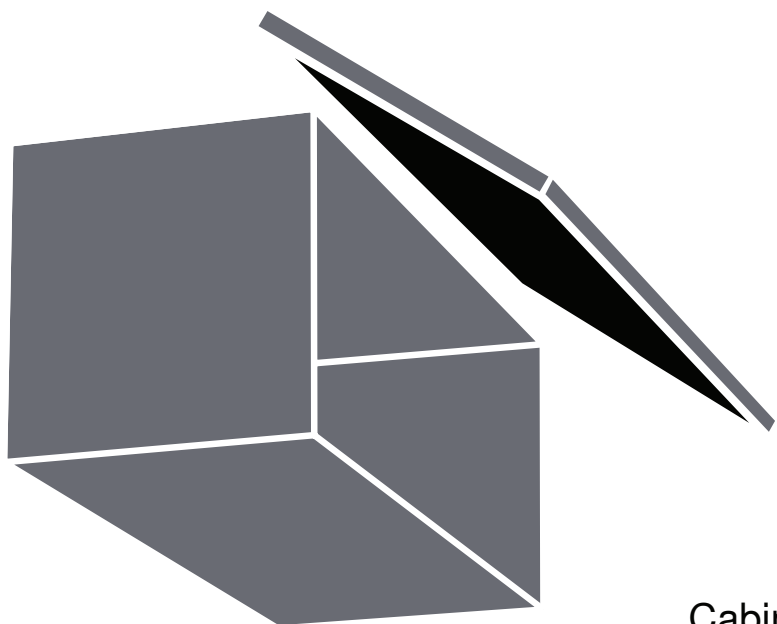
AVENTOS

# HS

爱翻®上翻斜移门

INSTALLATION  
SHEET

 **blum**<sup>®</sup>

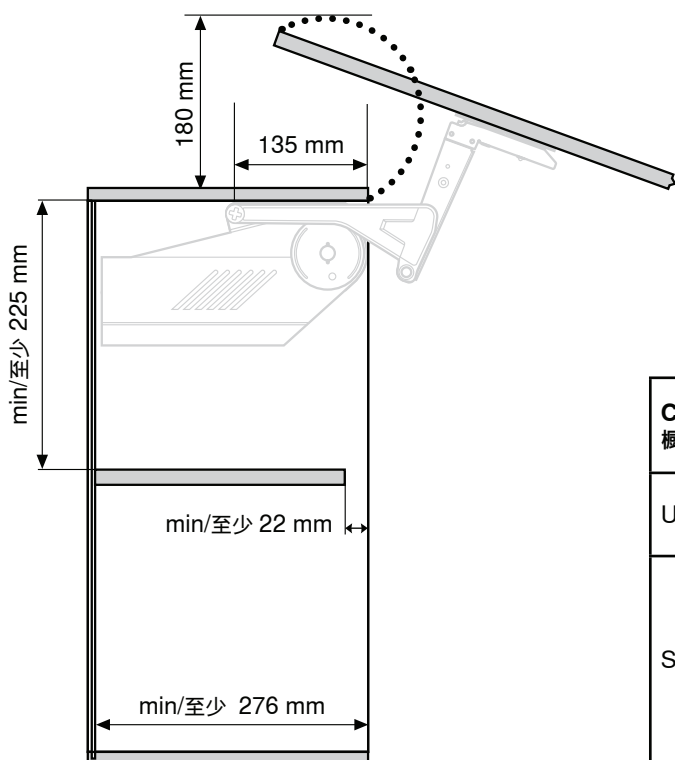
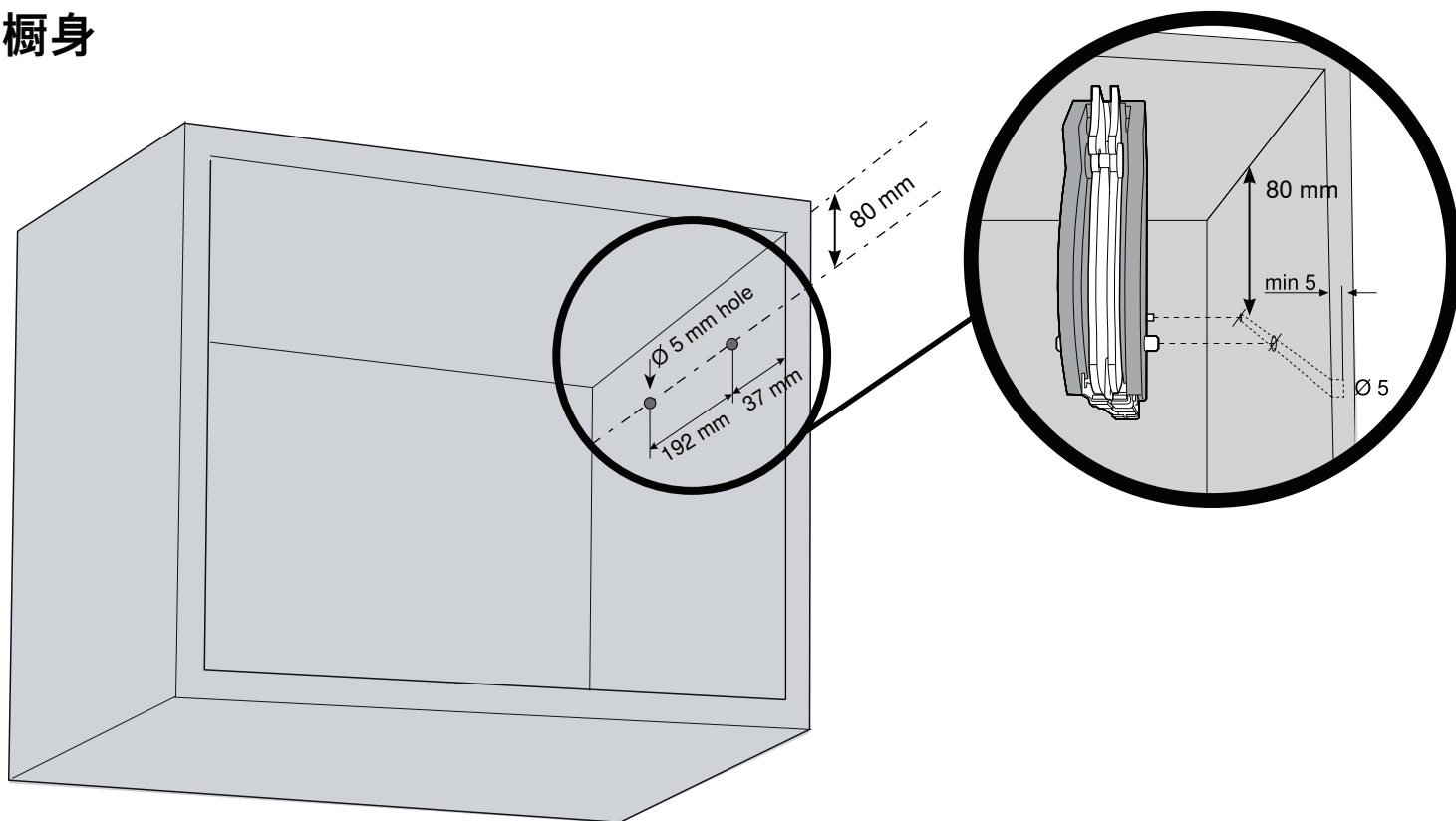


Cabinet Height 橱高: 350 - 800 mm

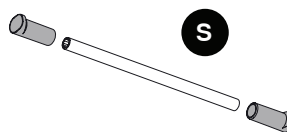


# AVENTOS HS - Wooden/ Wide Aluminium door 木门/ 宽铝框门

## Carcase 橱身



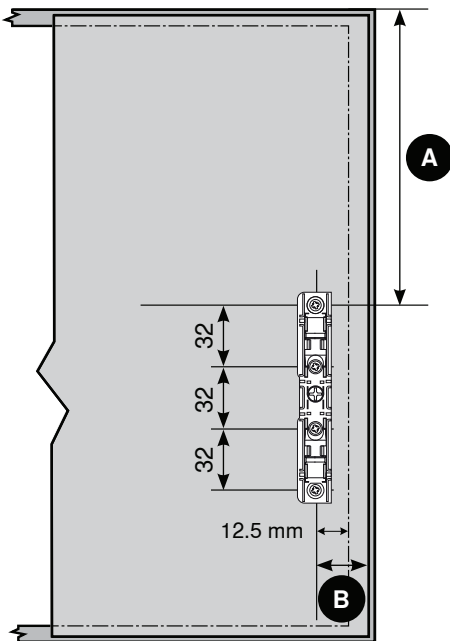
To cut stabiliser to size  
如何割横稳定杆



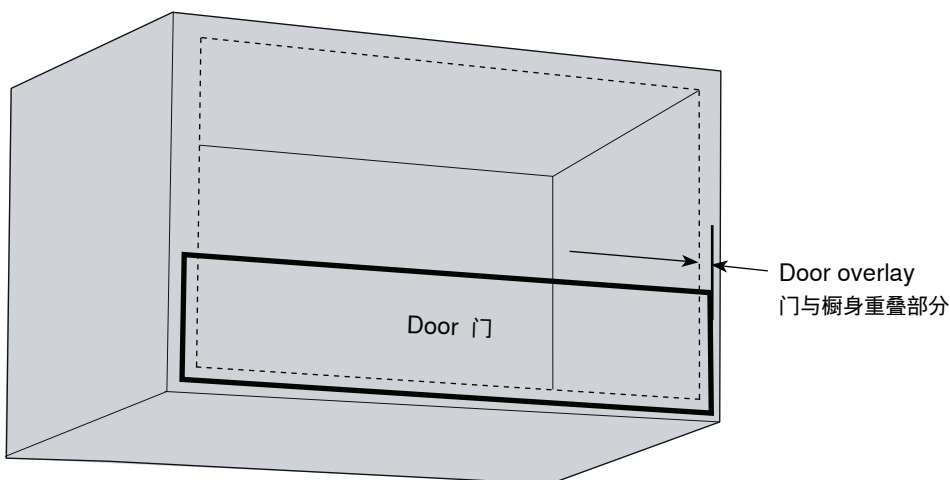
<b>Cabinet width</b> 橱身宽度	<b>S</b>
Up to/到 1218 mm	Internal cabinet width - 橱身内宽 - 129 mm
Starting from/从 1219 mm/起	Internal cabinet width 橱身内宽 - 147 mm 2

# AVENTOS HS - Wooden/ Wide Aluminium door 木门/ 宽铝框门

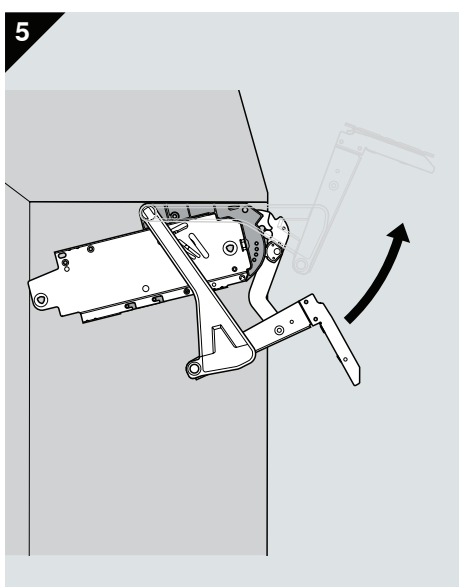
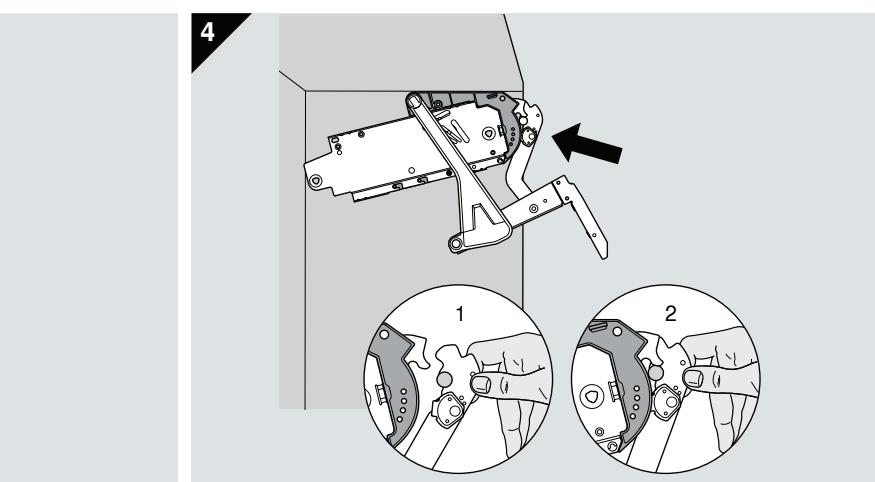
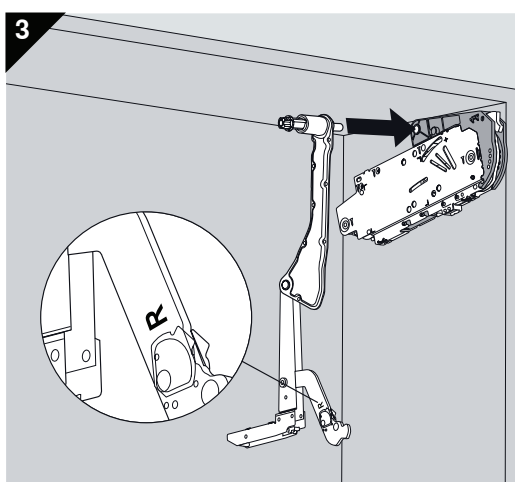
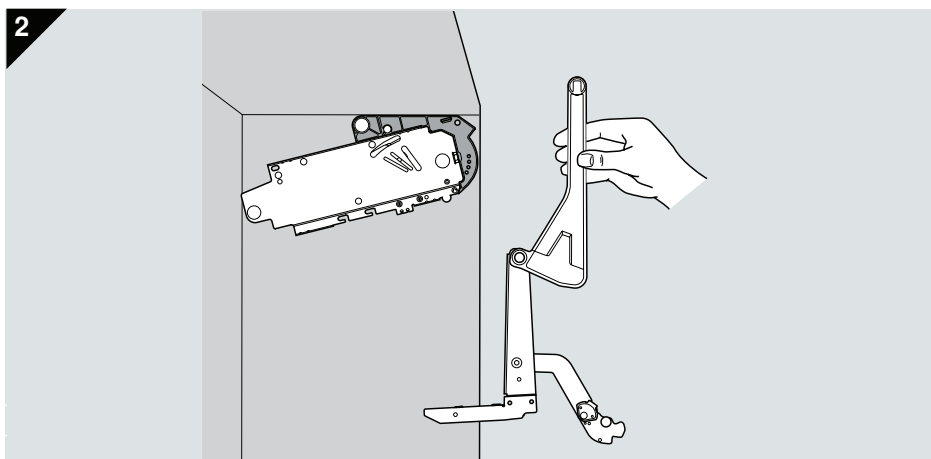
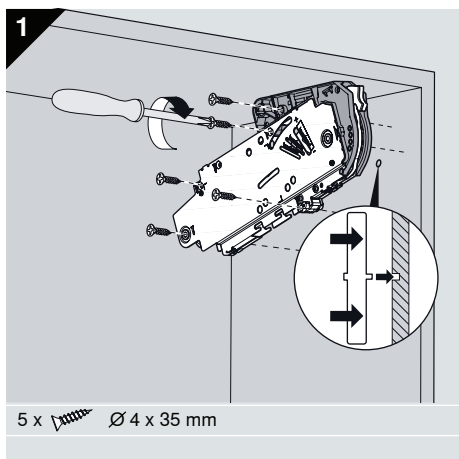
## Door 门



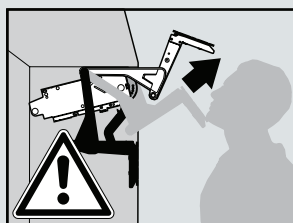
<b>A</b>	Door overlay/门与橱身重叠部分 + <b>196.5 mm</b>
<b>B</b>	Door overlay/门与橱身重叠部分 + <b>12.5 mm</b>



# Assembly 安装指示



## **Warning / 警告**



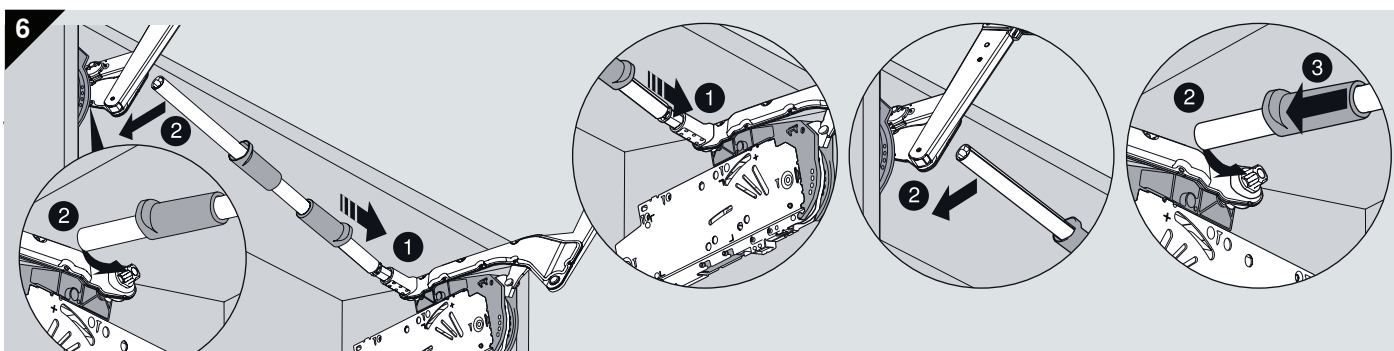
Risk of injury by spring-loaded lever assembly

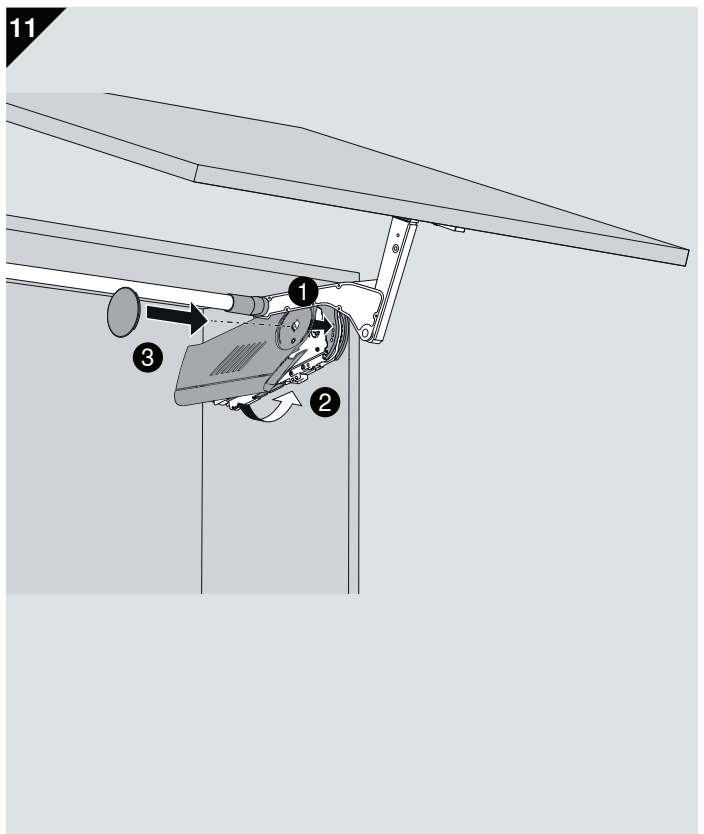
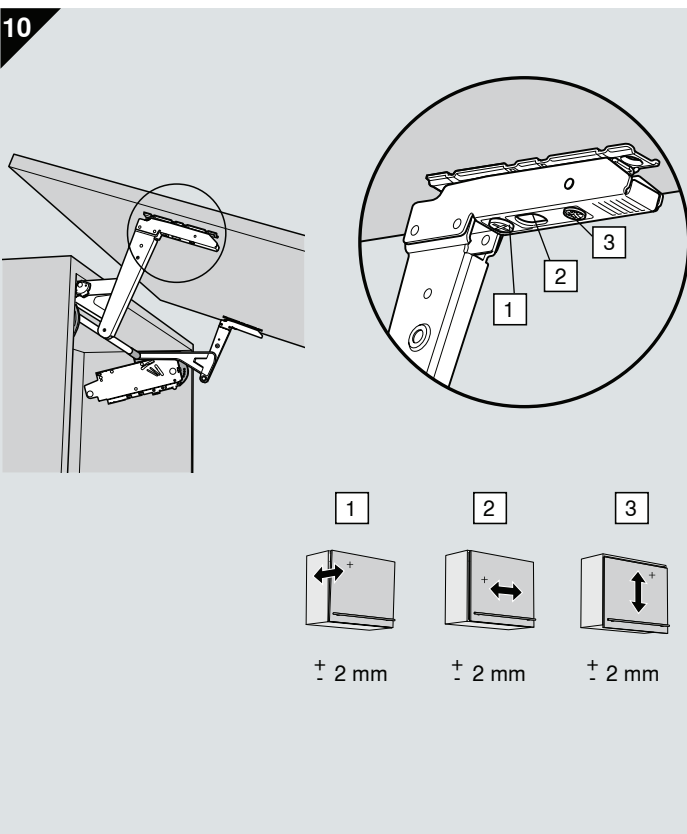
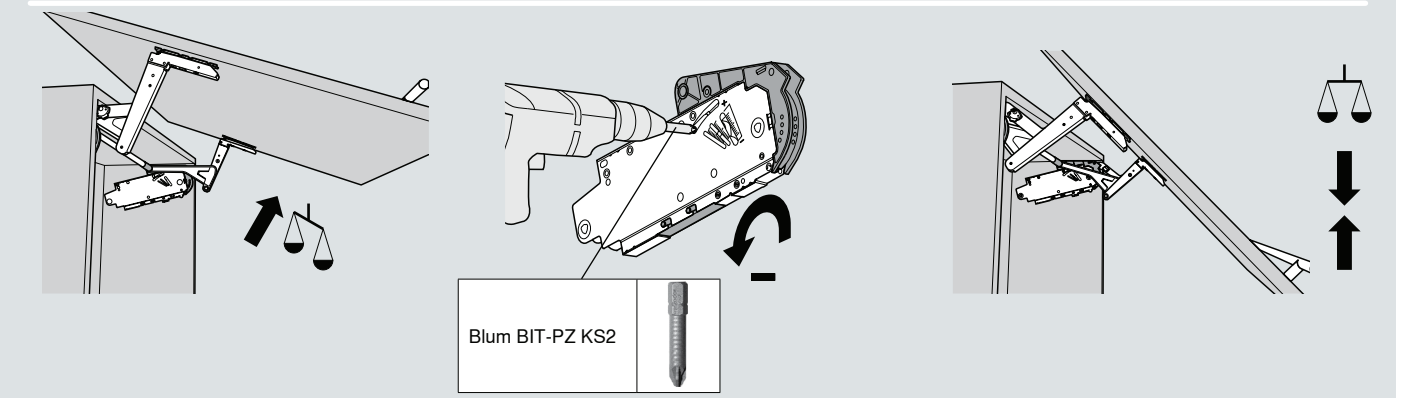
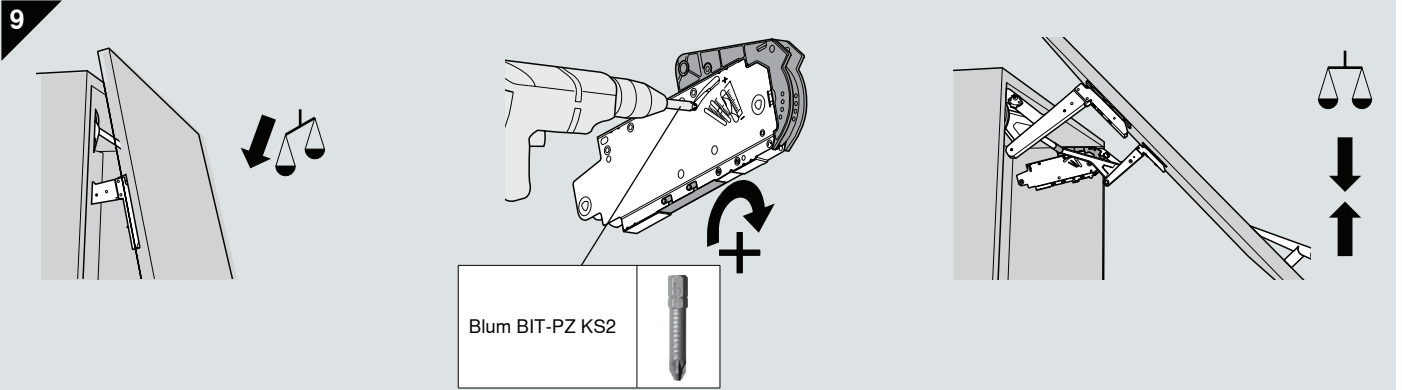
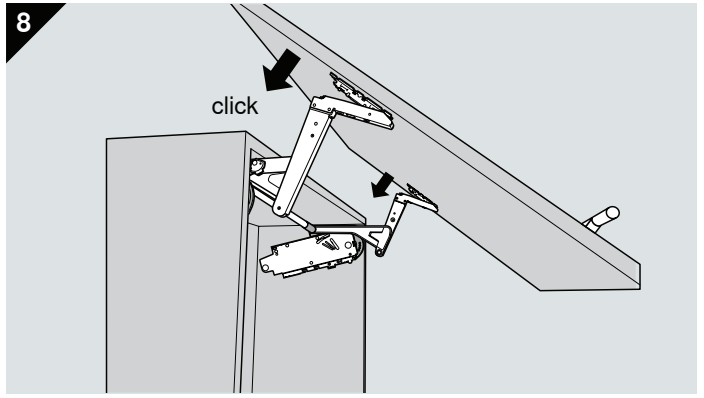
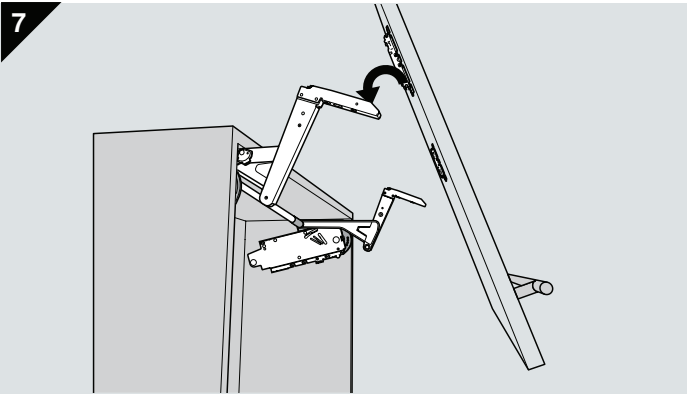
伸缩臂上弹会伤害到人



Do not push lever assembly down without door attached but remove.

伸缩臂请勿下压, 请务必拆下





# Removal 扯卸指示

