



SPECIFICATION SHEET



reddot design award
winner 2008

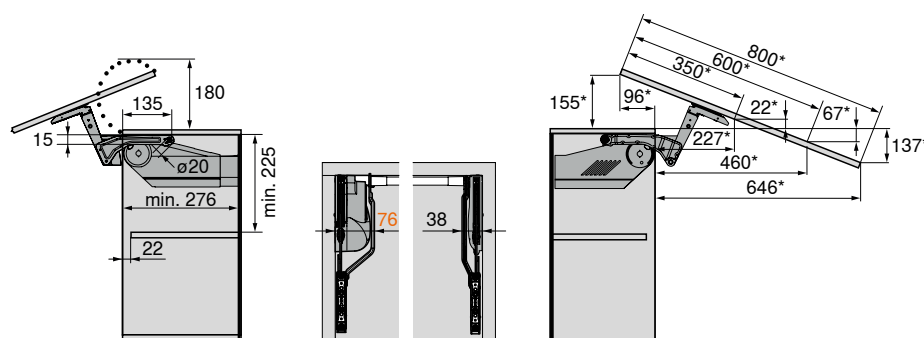
AVENTOS HS - up & over lift wall cabinet

- Suitable for large wall cabinets with single fronts on wall with cornice and or crown moulding
- Easy opening and integrated with BLUMOTION for silent and effortless closing
- Lift door can stop and remain in any positions with infinitely variable lift mechanism adjustment
- Fast assembly and removal of the cabinet front using CLIP technology

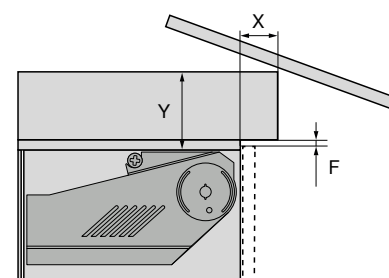
- Country of origin:** Austria
- Colours available:** Silk white Light grey
- Motion technologies:** BLUMOTION SERVO-DRIVE
- Material / Finish:** Steel / Zinc plated
- Cabinet width:** up to 1800 mm
- Cabinet height:** 350 - 800 mm

Space requirement

For BLUMOTION and SERVO-DRIVE



For cornice / crown



F (gap)	X (max.)	Y (max.)
3.0	35	101
2.0	31	101
1.5	28	101

All measurements are in millimetres (mm)

* Dimensions depends on tilt adjustment



SPECIFICATION SHEET



interzum award:
intelligent
material & design
2007





reddot design award
winner 2008

AVENTOS HS - up & over lift wall cabinet

Order information



In order to select the correct lift mechanism and lever arm, it is necessary to determine both the cabinet height and cabinet front weight including the handle weight.

Lift mechanism set	20S2A00	20S2B00	20S2D00	20S2E00	20S2H00
					
350 mm	2.00 - 5.00 kg	4.50 - 9.50 kg			
355 mm	2.00 - 4.75 kg				
360 mm					
365 mm					
370 mm					
375 mm		4.50 - 9.25 kg			
380 mm					
385 mm	4.50 - 9.00 kg				
390 mm					
395 mm					
400 mm					
405 mm	2.25 - 4.50 kg	4.25 - 8.75 kg			
410 mm		4.25 - 8.50 kg			
415 mm					
420 mm		4.00 - 8.50 kg			
425 mm					
430 mm		2.25 - 4.25 kg			
435 mm					
440 mm	2.50 - 4.25 kg				
445 mm					
450 mm	2.50 - 4.25 kg	4.00 - 8.25 kg			
455 mm					
460 mm	2.50 - 4.25 kg	4.00 - 8.25 kg			
465 mm					
470 mm	2.50 - 4.25 kg	4.00 - 8.25 kg			



SPECIFICATION SHEET



interzum award:
intelligent
material & design
2007



reddot design award
winner 2008

AVENTOS HS - up & over lift wall cabinet

Order information



In order to select the correct lift mechanism and lever arm, it is necessary to determine both the cabinet height and cabinet front weight including the handle weight.

Lift mechanism set	20S2A00	20S2B00	20S2D00	20S2E00	20S2H00	
475 mm	2.50 - 4.25 kg	3.75 - 8.00 kg				
480 mm						
485 mm						
490 mm						
495 mm		3.75 - 7.75 kg				
500 mm	2.50 - 4.00 kg	3.50 - 7.75 kg				
505 mm						
510 mm						
515 mm		3.50 - 7.50 kg				
520 mm		3.25 - 7.50 kg				
525 mm						
526 mm				6.25 - 13.00 kg		
530 mm			3.00 - 6.75 kg			
535 mm				6.25 - 12.75 kg		
540 mm			3.00 - 6.50 kg			
545 mm						
550 mm					6.00 - 12.50 kg	
555 mm						
560 mm				6.00 - 12.25 kg		
565 mm			3.00 - 6.25 kg			
570 mm					5.75 - 12.25 kg	
575 mm						
580 mm				5.75 - 12.00 kg		
585 mm						
590 mm			3.00 - 6.00 kg	5.50 - 12.00 kg		



SPECIFICATION SHEET



interzum award:
intelligent
material & design
2007



reddot design award
winner 2008

AVENTOS HS - up & over lift wall cabinet

Order information



In order to select the correct lift mechanism and lever arm, it is necessary to determine both the cabinet height and cabinet front weight including the handle weight.

Lift mechanism set	20S2A00	20S2B00	20S2D00	20S2E00	20S2H00
595 mm					
600 mm					
605 mm			3.00 - 6.00 kg	5.50 - 11.75 kg	
610 mm					
615 mm					
620 mm			3.00 - 5.75 kg	5.50 - 11.50 kg	
625 mm					
630 mm					
635 mm				5.25 - 11.50 kg	
640 mm					
645 mm			3.00 - 5.50 kg	5.25 - 11.25 kg	
650 mm					
655 mm					
660 mm					
665 mm					
670 mm			3.00 - 5.25 kg	5.00 - 11.00 kg	
675 mm					
676 mm					7.00 - 13.50 kg
680 mm					
685 mm					7.00 - 13.25 kg
690 mm					
695 mm					
700 mm					6.75 - 13.25 kg
705 mm					
710 mm					



SPECIFICATION SHEET

interzum award:
intelligent
material & design
2007





reddot design award
winner 2008

AVENTOS HS - up & over lift wall cabinet

Order information



In order to select the correct lift mechanism and lever arm, it is necessary to determine both the cabinet height and cabinet front weight including the handle weight.

Lift mechanism set	20S2A00	20S2B00	20S2D00	20S2E00	20S2H00
					
715 mm					
720 mm					
725 mm					6.75 - 13.00 kg
730 mm					
735 mm					6.50 - 13.00 kg
740 mm					
745 mm					
750 mm					6.50 - 12.75 kg
755 mm					
760 mm					
765 mm					6.50 - 12.50 kg
770 mm					
775 mm					
780 mm					6.25 - 12.50 kg
785 mm					
790 mm					
795 mm					6.00 - 12.25 kg
800 mm					

All content is copyrighted by Blum. Subject to modifications and changes without notice. Produced in Singapore. PQR FL Ss · AVN HS · V1 EN-SG