

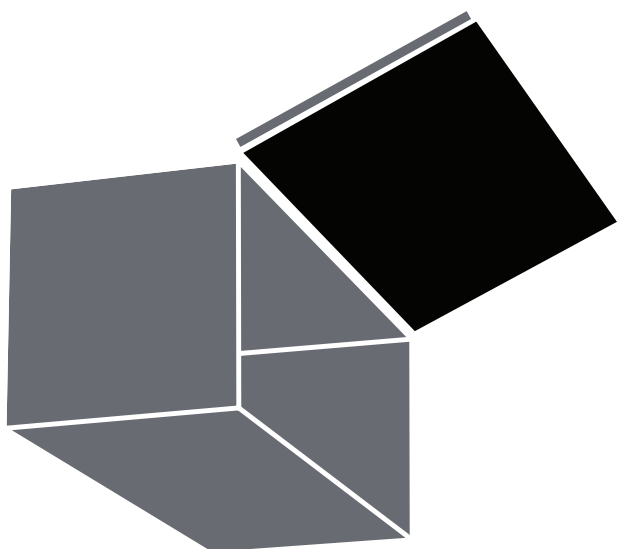
AVENTOS

HK-XS

INSTALLATION
SHEET

 **blum**[®]

爱翻®小精灵™支撑

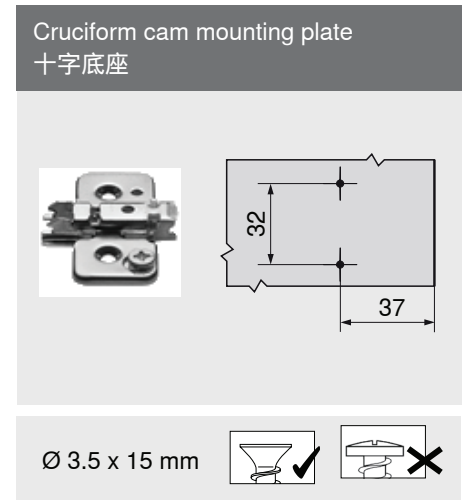
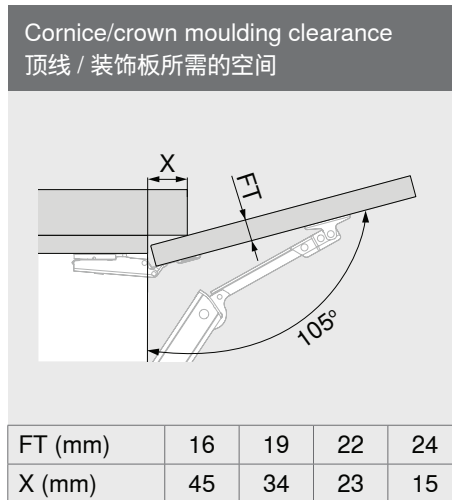
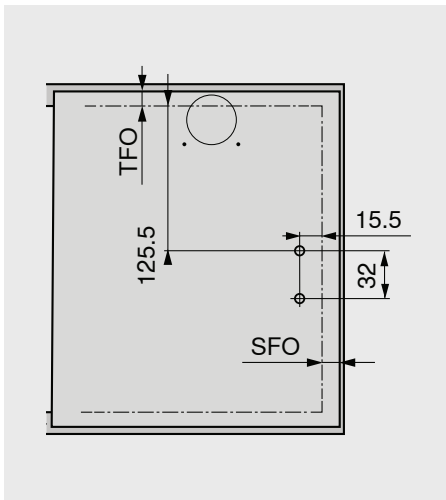
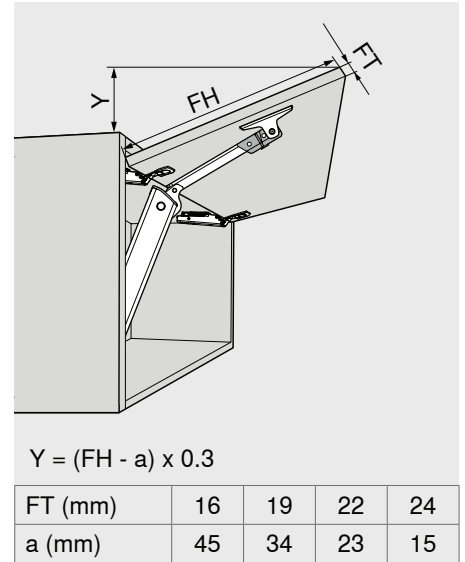
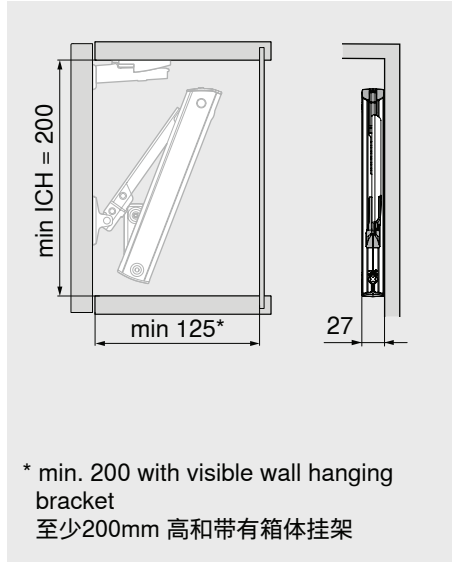
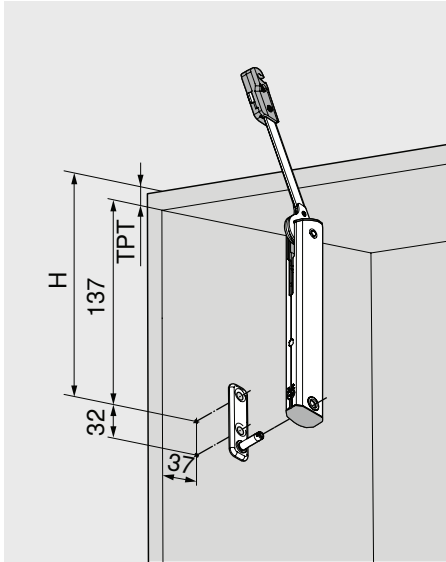


Cabinet Height 橱身最高: 240 - 600 mm



AVENTOS HK-XS - Wooden fronts 木制门 / Wide aluminium frames 铝制门框

Planning 规划



Number of Hinges 铰链的数量:

3 hinges starting at cabinet width 900 mm and/or power factor 1,800
如橱宽度是900mm 或力矩在1,800, 需要3个铰链

4 hinges starting at cabinet width 1,200 mm and/or power factor 2,700
如橱宽度是1,200mm 或力矩在2,700, 需要4个铰链

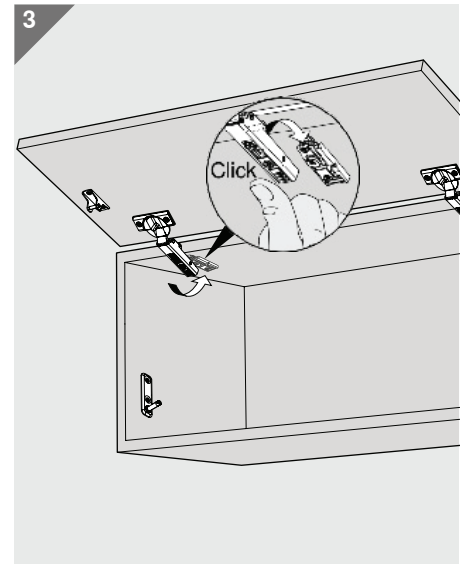
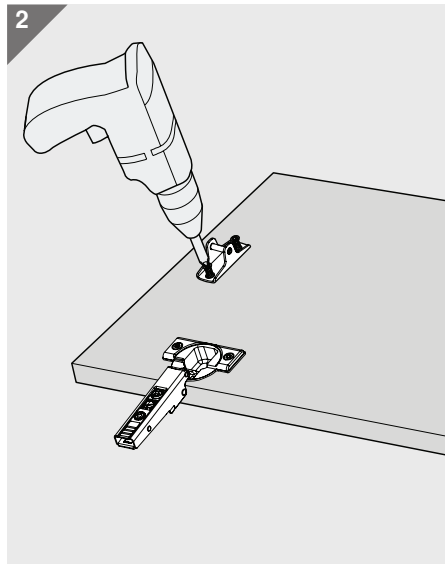
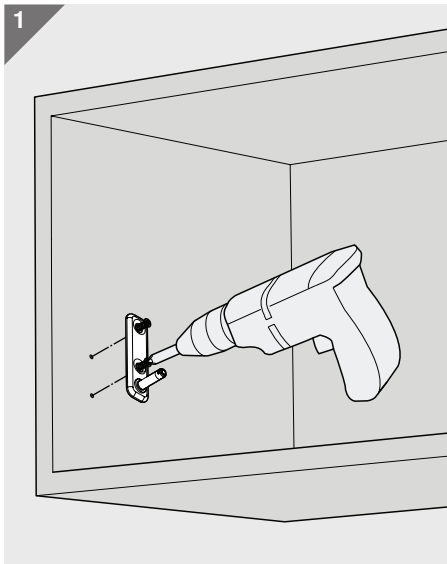
Legend 称号:

FH	Front Height 门高
FT	Front Thickness 门厚
H	Height 高度
ICH	Internal Cabinet Height 橱内高度

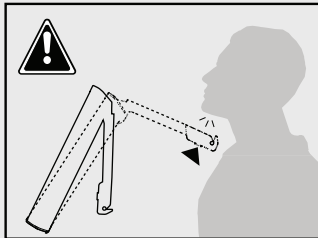
SFO	Side Front Overlay 面板与箱体侧面重叠的部分
TFO	Top Front Overlay 面板与箱体顶面重叠的部分
TPT	Top Panel Thickness 顶板的厚度

AVENTOS HK-XS - Wooden fronts 木制门 / Wide aluminium frames 铝制门框

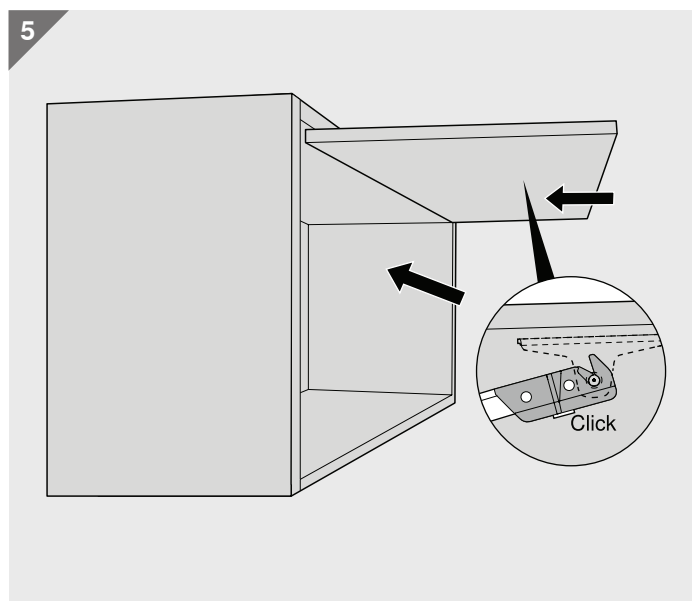
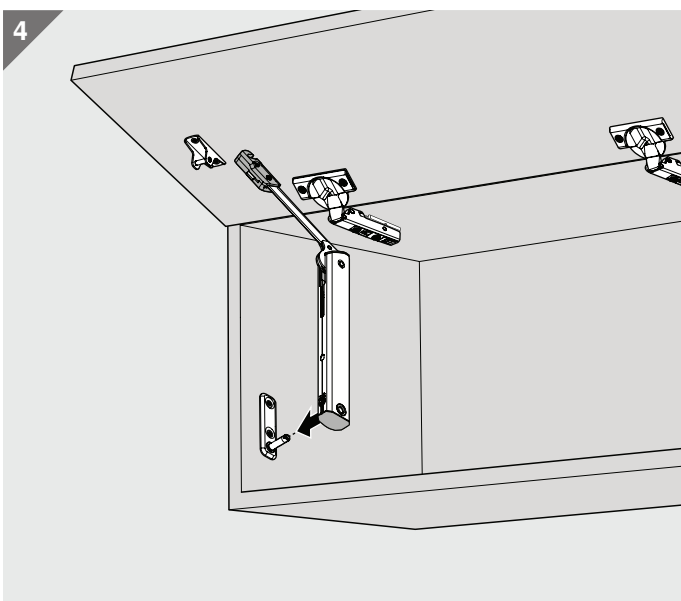
Assembly 安装指示



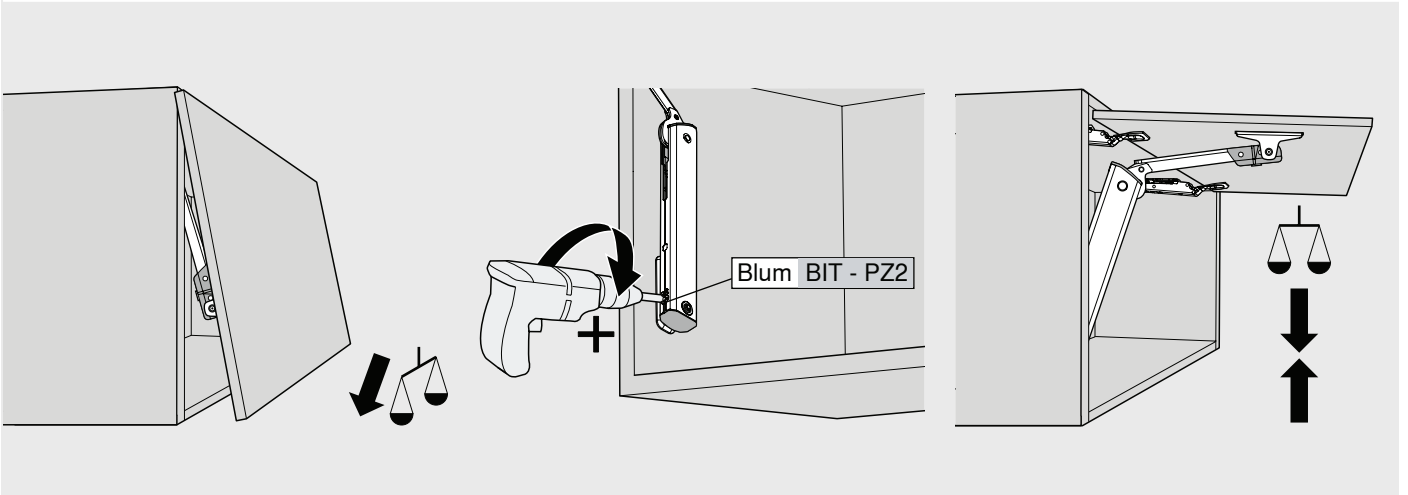
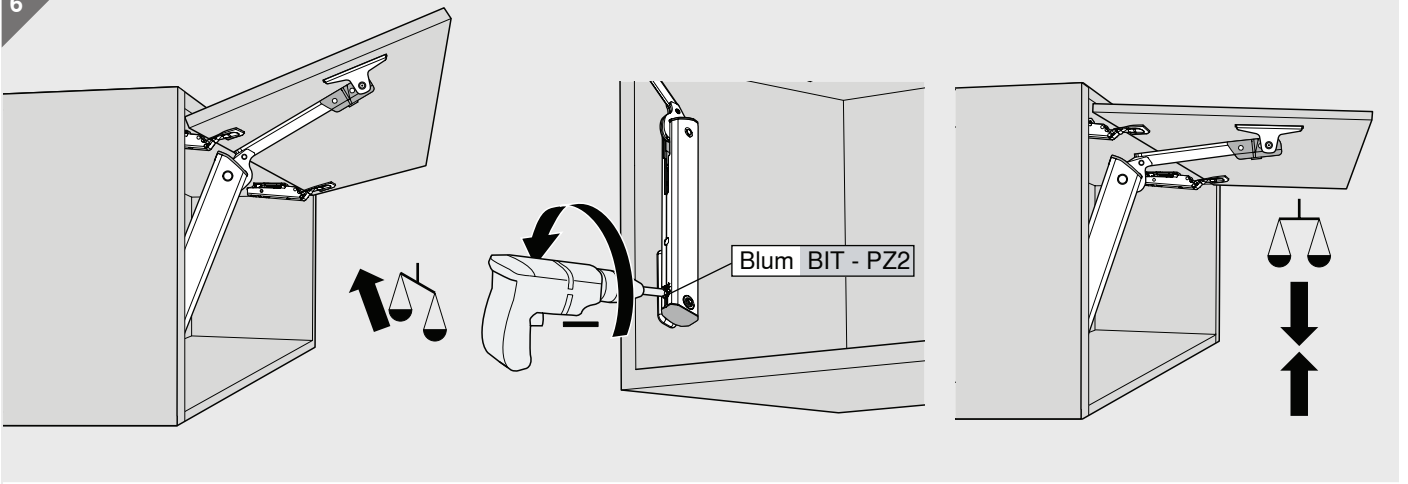
WARNING 警告



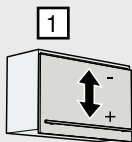
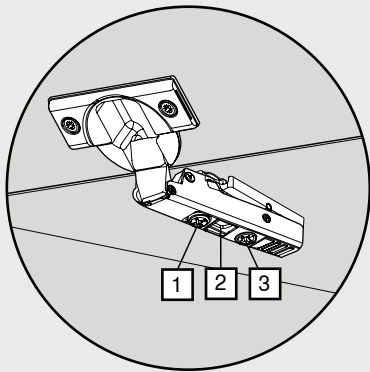
- Do not close the lever arm!
在没装上门前, 请勿把伸缩臂压下
- Lever could spring up and cause injury!
伸缩臂会弹伤人



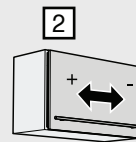
6



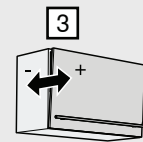
7



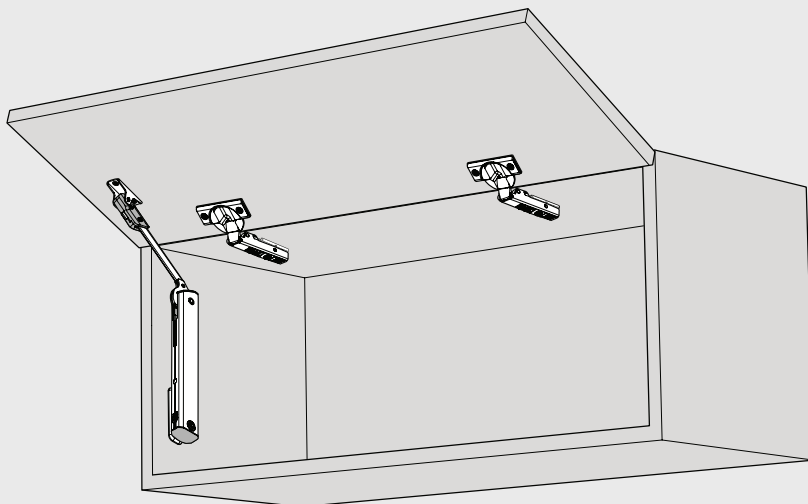
± 2 mm



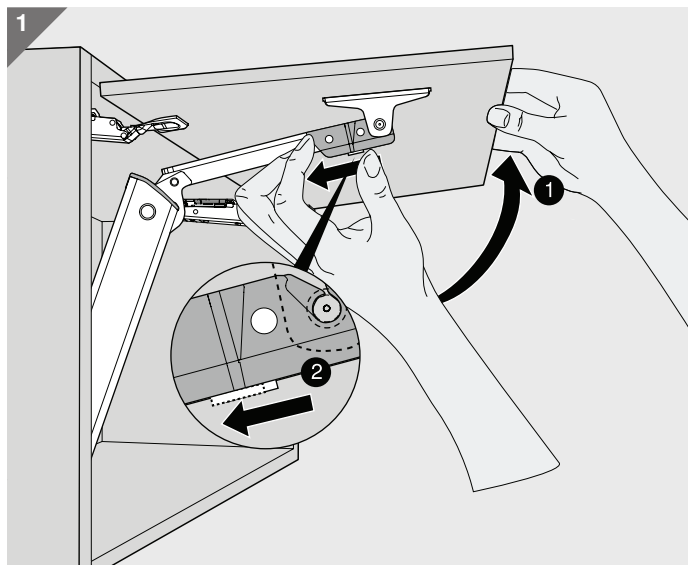
± 2 mm



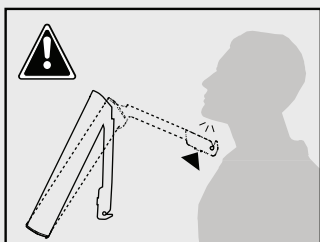
± 3 mm / - 2 mm



Removal 拆卸指示



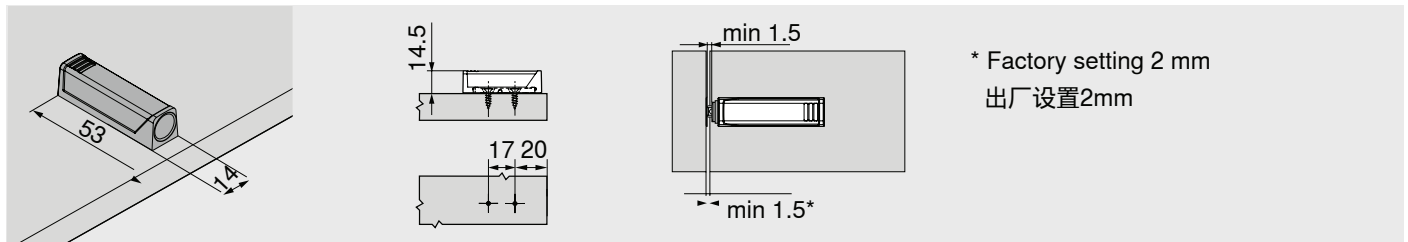
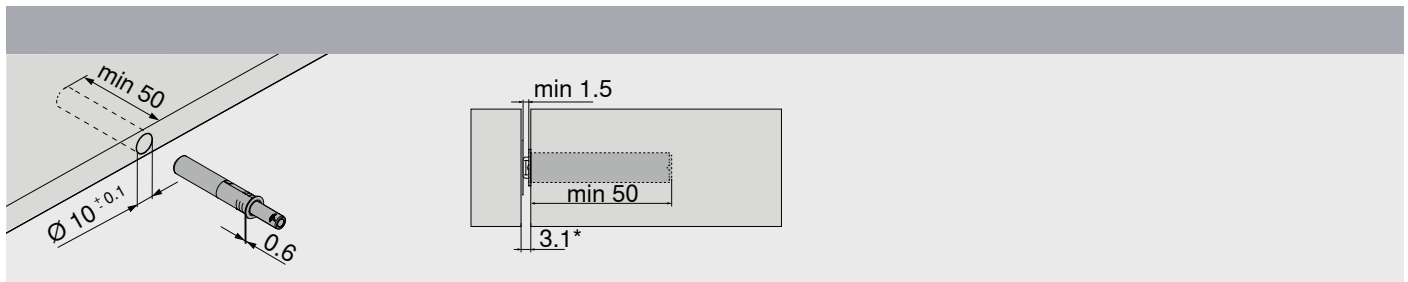
WARNING 警告



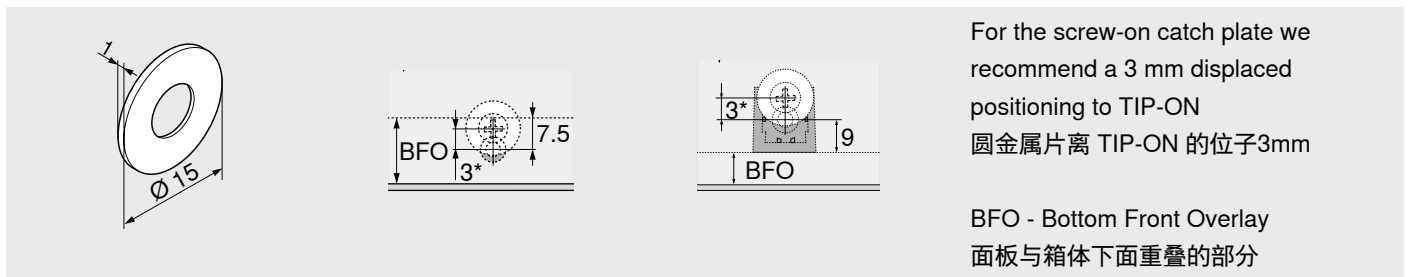
- Do not close the lever arm!
在没装上门前, 请勿把伸缩臂压下
- Lever could spring up and cause injury!
伸缩臂会弹伤人

Planning TIP-ON for AVENTOS HK-XS

规划于Aventos HK-XS Tip On



* Factory setting 2 mm
出厂设置2mm

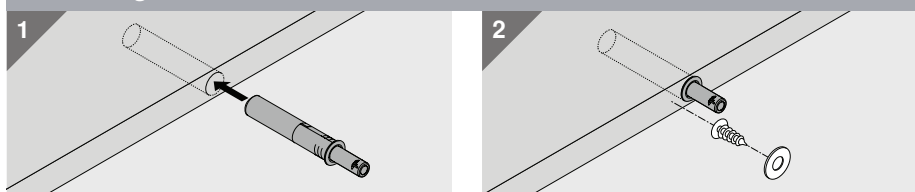


For the screw-on catch plate we recommend a 3 mm displaced positioning to TIP-ON
圆金属片离 TIP-ON 的位子3mm

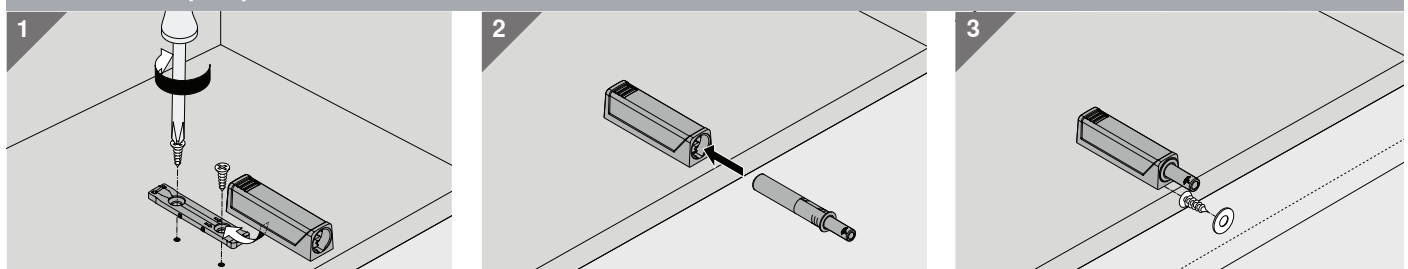
BFO - Bottom Front Overlay
面板与箱体下面重叠的部分

Assembly 安装指示

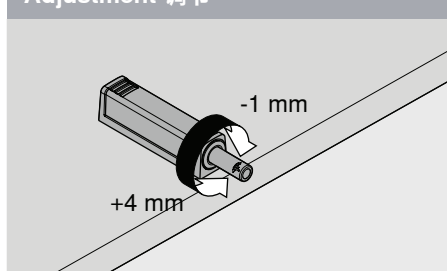
For drilling 钻孔



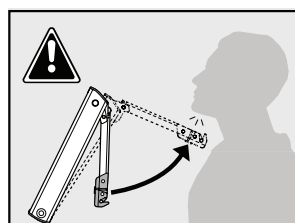
Horizontal adapter plate 一字型底座



Adjustment 调节



WARNING 警告



- Do not close the lever arm!
在没装上门前, 请勿把伸缩臂压下
- Lever could spring up and cause injury!
伸缩臂会弹伤人