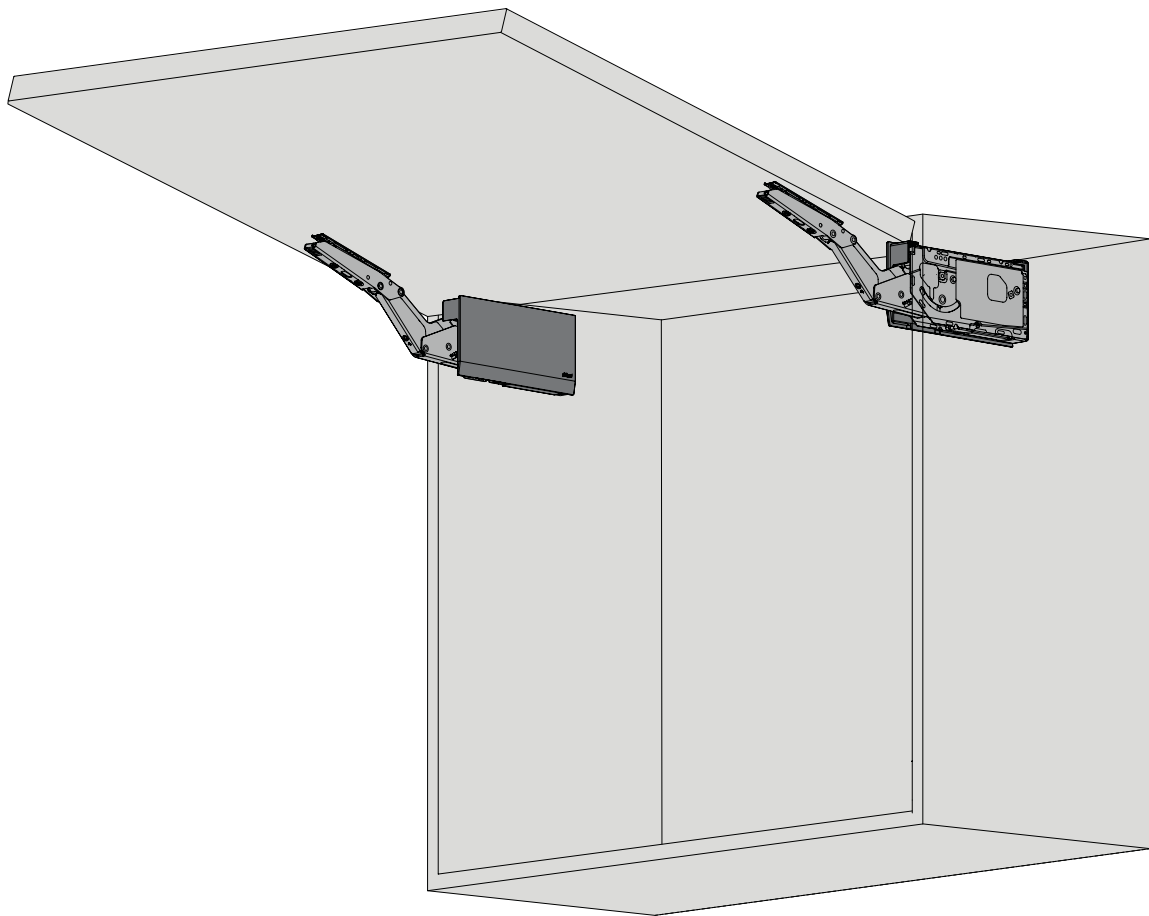


AVENTOS HK top  
爱翻®灵云展®



# Installation sheet

安装说明



**BLUMOTION**

by Blum

阻尼



Installation video  
安装视频



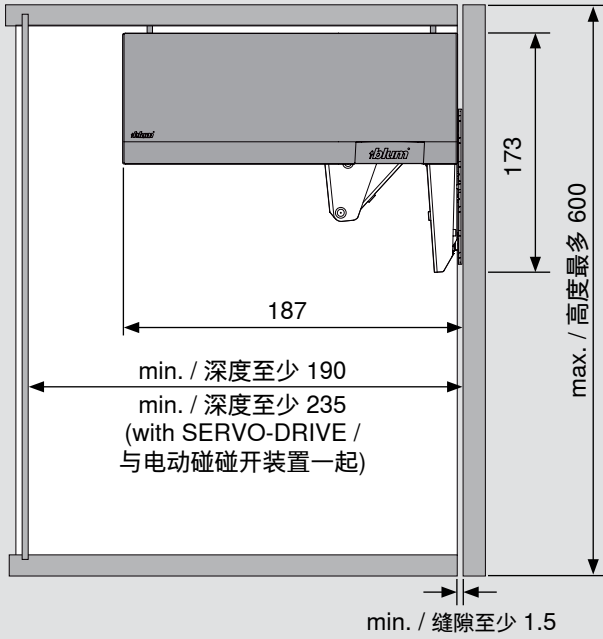
EA app  
百隆安装宝 App

**AVENTOS HK top**  
爱翻®灵云展®

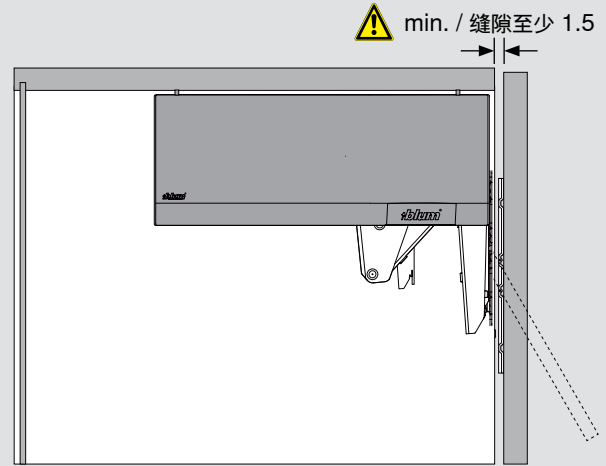


**Planning specifications**  
规划细节

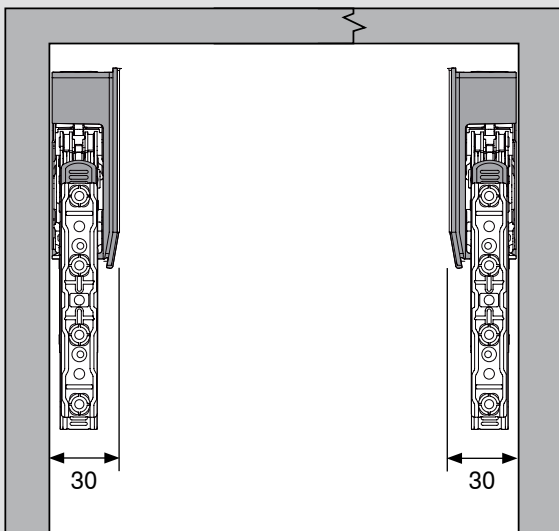
**Door and hardware clearance 门与五金所需空间**



**Minimum gap 缝隙至少**



**Lift mechanism thickness 省力装置厚度**



AVENTOS HK top  
爱翻®灵云展®



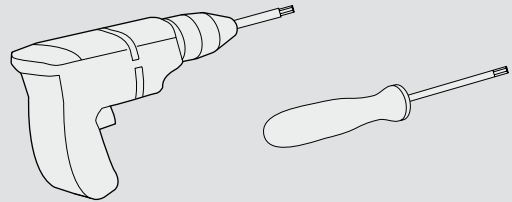
Assembly  
装置

Assembly aids 装置辅助



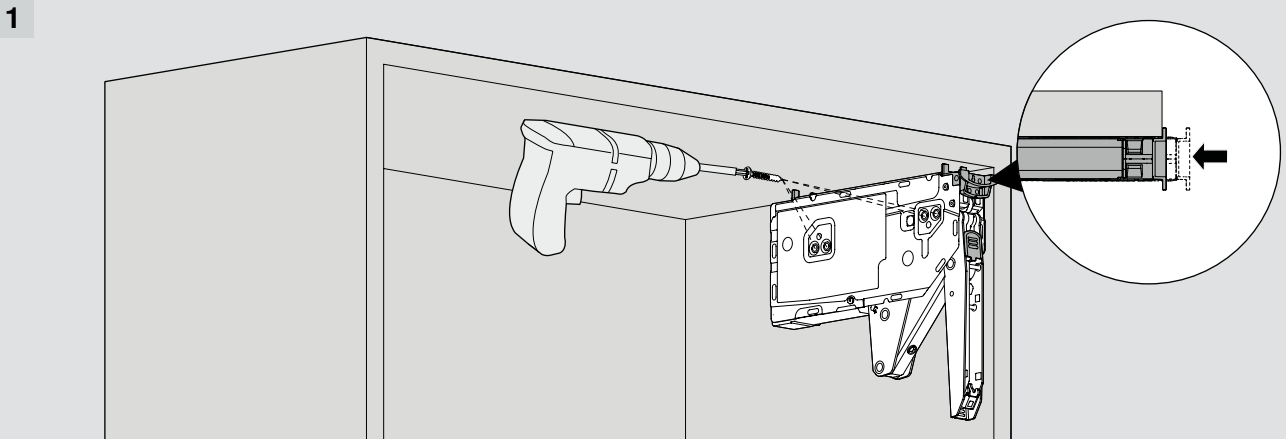
ADJUSTMENTS  
REQUIRE **TORX 20**

调节必需采用 **TORX 20** 六角形螺丝刀

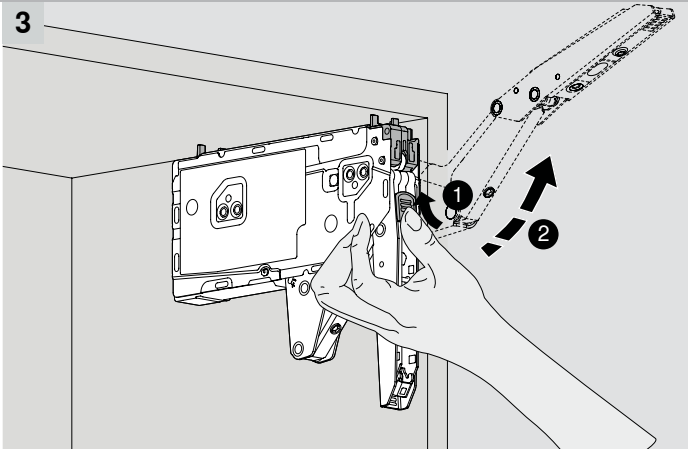
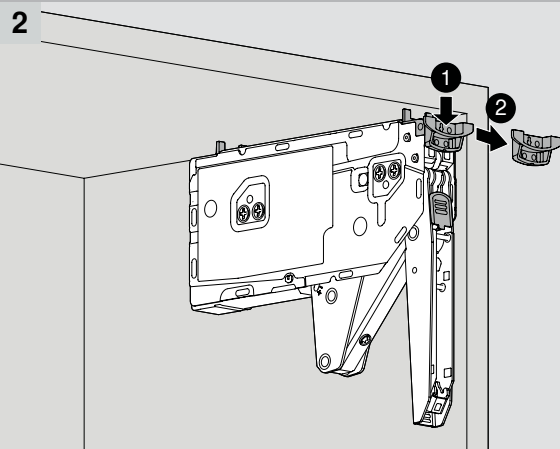


Carcass 橱身

4 x (4 x 35)

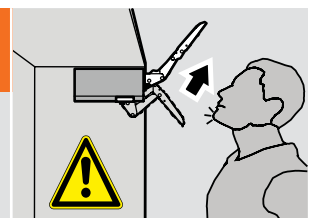


Remove positioning template 取出定位模板



**Warning: Risk of injury by spring-loaded lever arm!**  
警告: 伸缩臂上弹会伤人!

- Arm has built-in safety feature to prevent opening and closing 伸缩臂附有安全措施可防止上弹和关闭
- Secure lever arm before installing cabinet 固定伸缩臂后再安装橱身



AVENTOS HK top  
爱翻®灵云展®

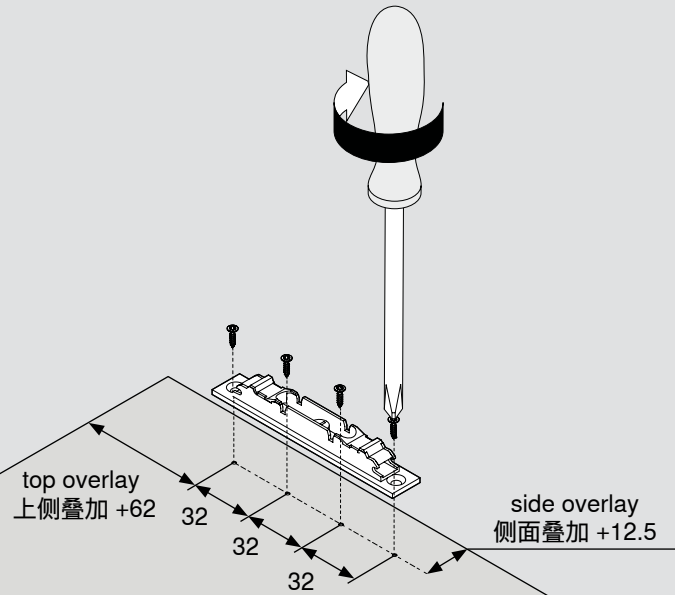


Assembly  
装置

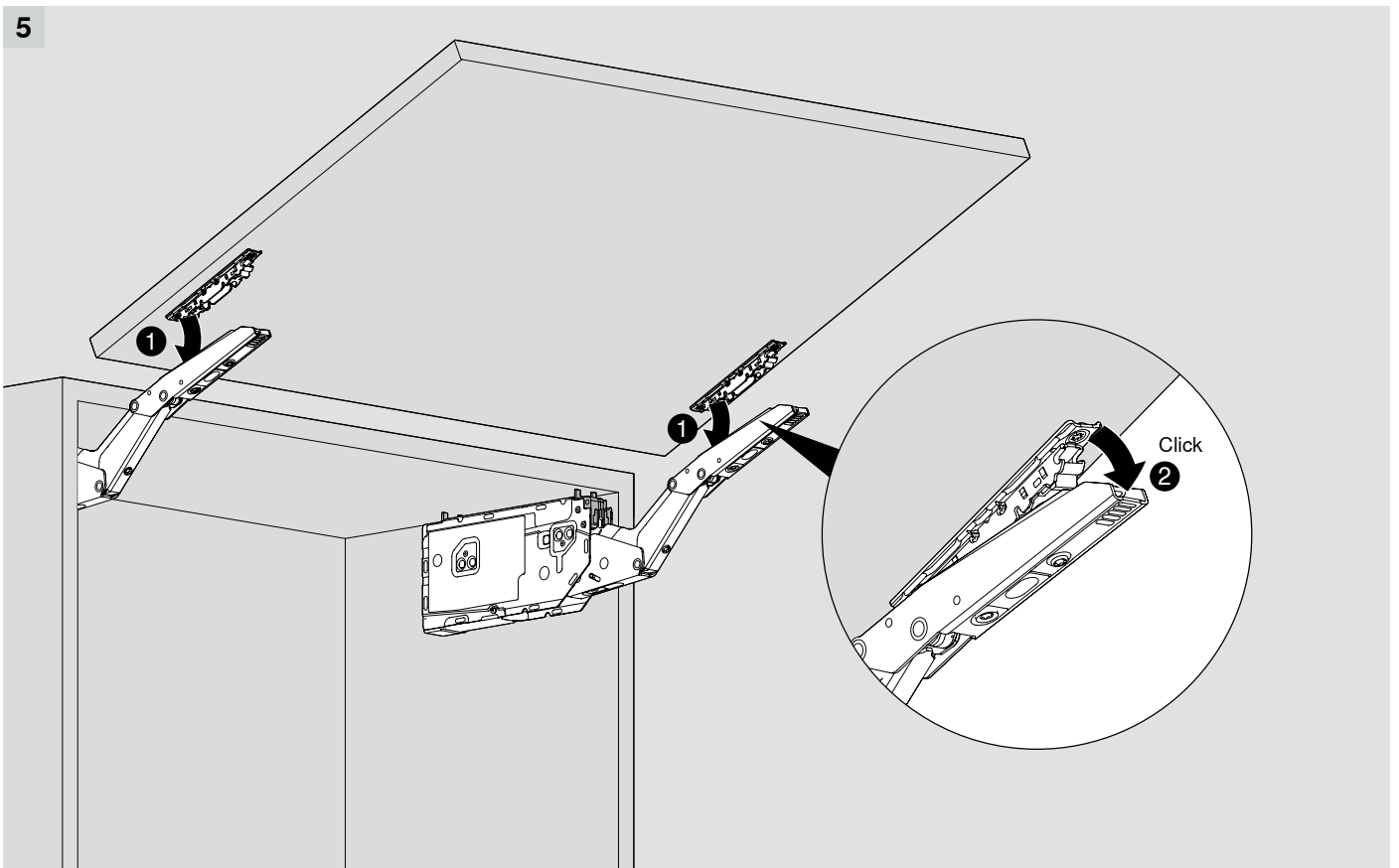
Door 橱门

8 x (3.5 x 15) 2 x

4



5

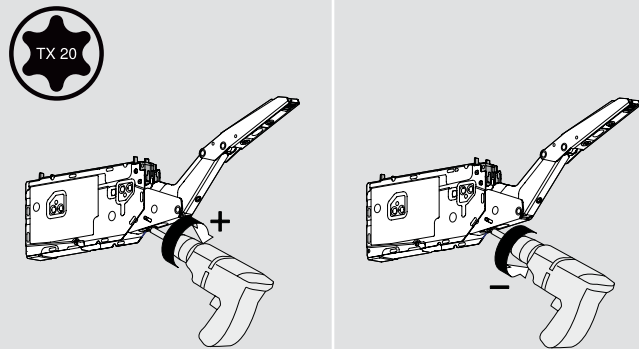
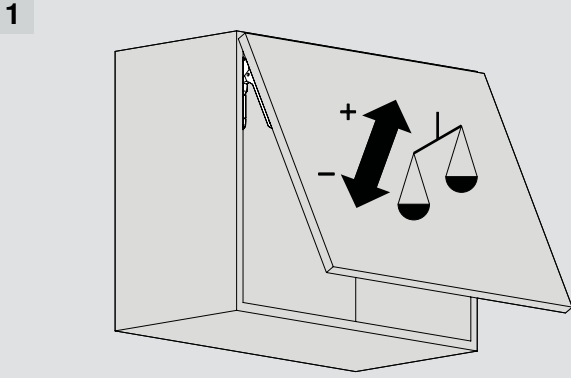


AVENTOS HK top  
爱翻®灵云展®

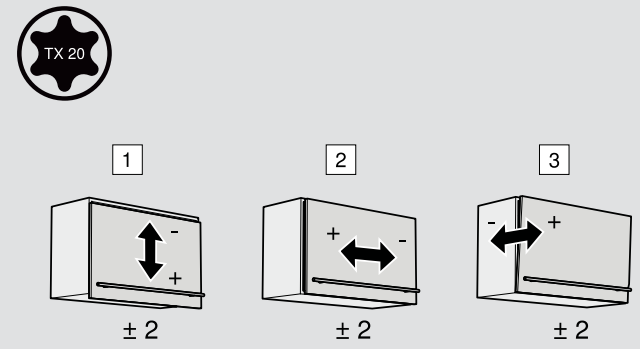
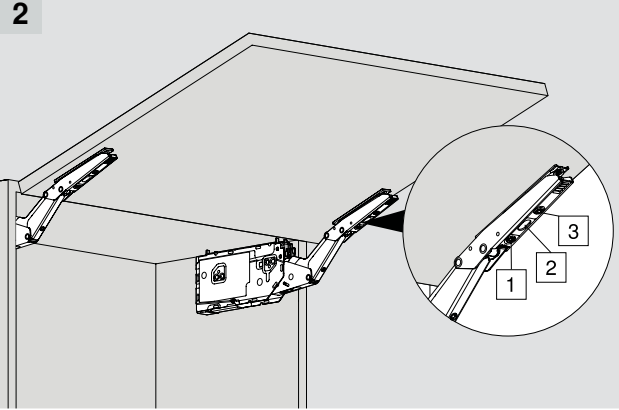


Adjustments  
调节

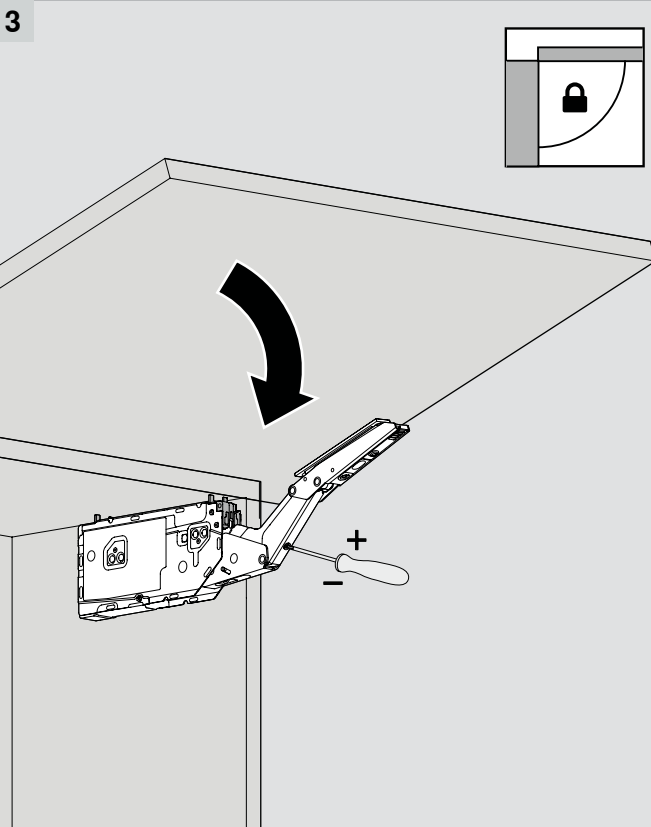
Door weight (power factor) 橱门重量 (力矩)



Door alignment 橱门对齐



Opening angle stop 角度限制器



Cover cap placement 更换装饰盖

