

# TIP-ON for TANDEM

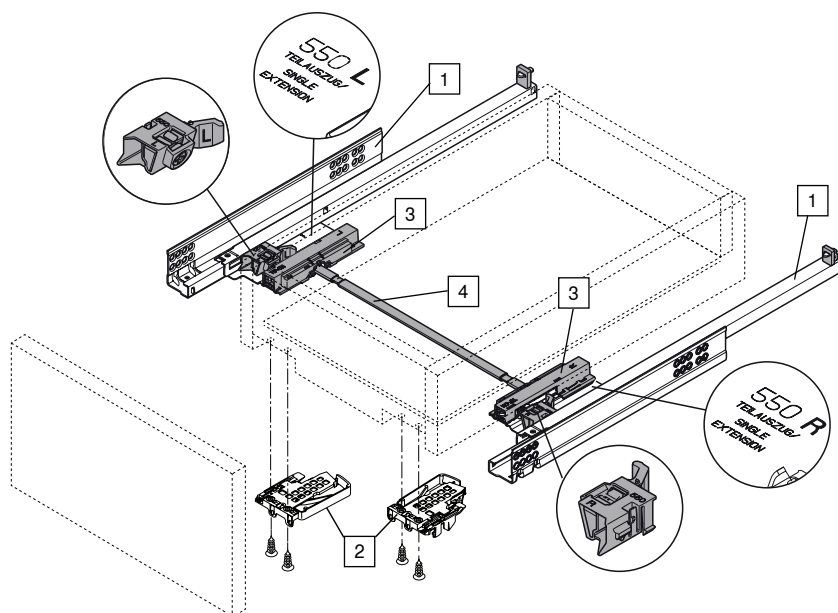
## Single extension (550H)

INSTALLATION  
SHEET

 **blum**<sup>®</sup>

# 30 kg

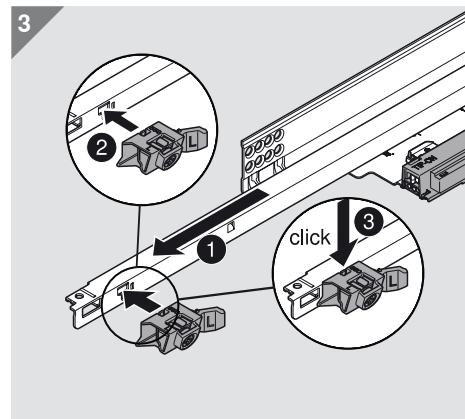
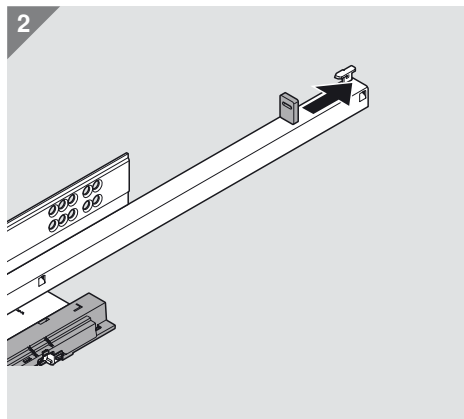
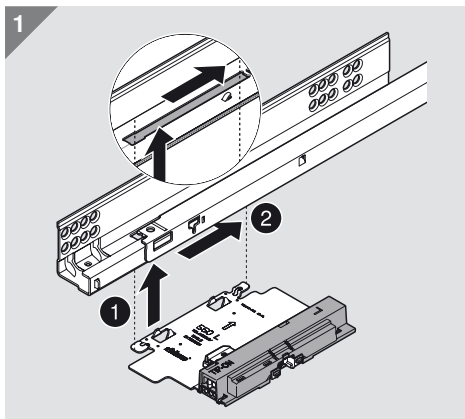
碰碰开™用于隐藏静音木抽导轨系列 30 kg - 半拉式



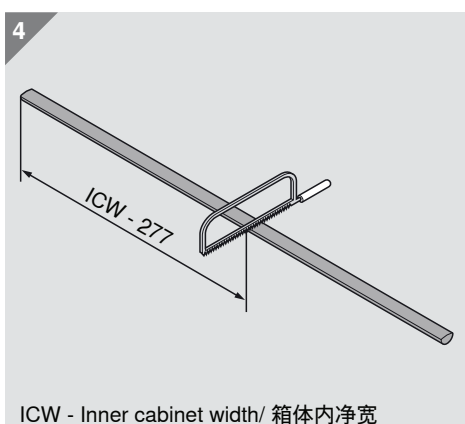
Item	Qty	Unit	Description
1	1	pair	TANDEM runner (Single extension) 隐藏静音木抽导轨系列 (半拉式)
2	1	set	Locking device (Left & Right) 接码 (左右)
3	1	set	TIP-ON device (Left & Right) 碰碰开 (左右)
4	1	set	Synchronisation Set 同步装置



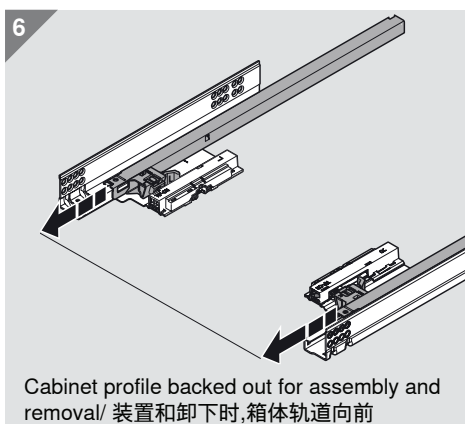
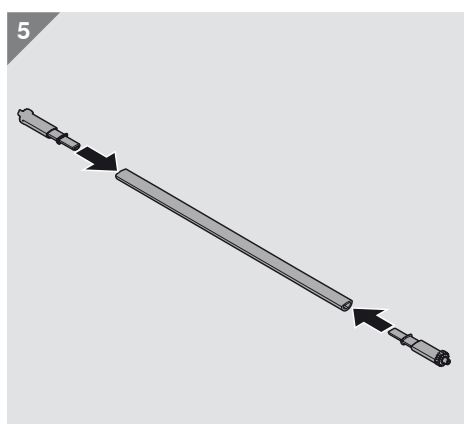
# Planning 设计



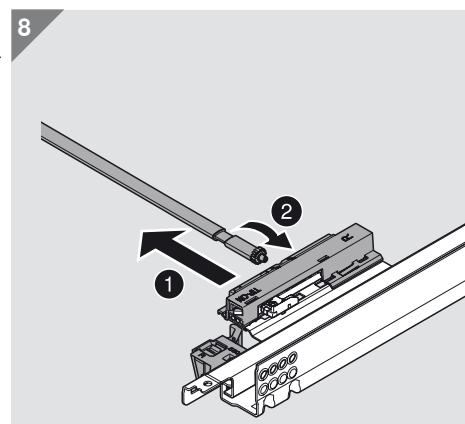
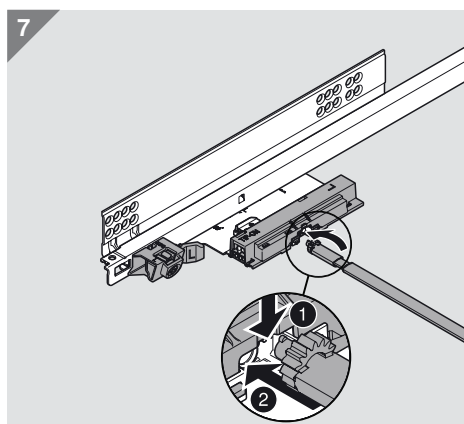
Starting with cabinet width of 600 mm/ 箱体净宽 600mm以上



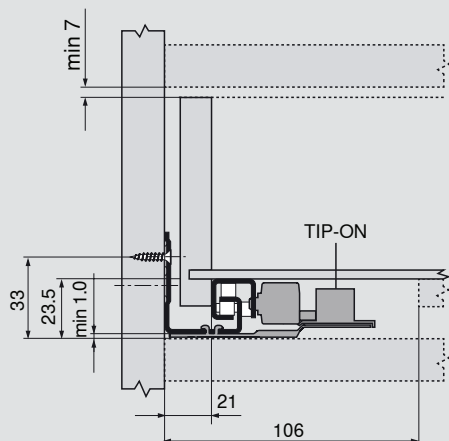
ICW - Inner cabinet width/ 箱体内净宽



Cabinet profile backed out for assembly and removal/ 装置和卸下时,箱体轨道向前



## Installation dimensions/ 安装尺寸



## Depth adjustment/ 深度调节

