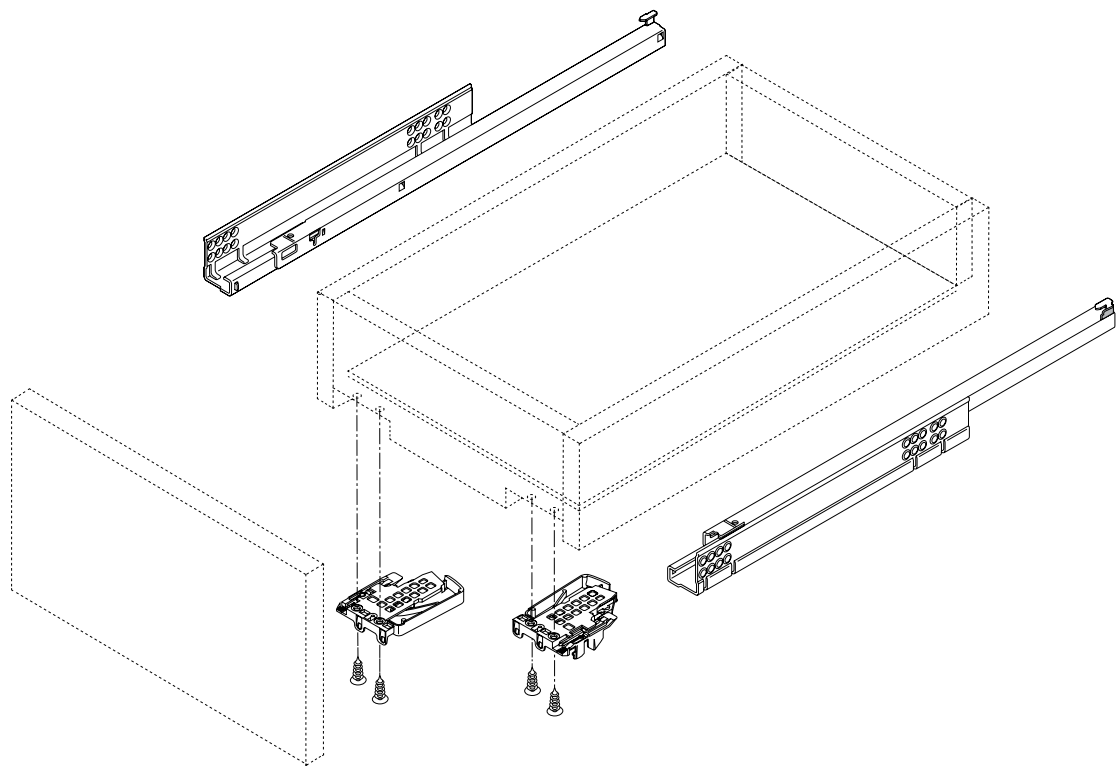


TANDEM runner
Single extension (550H)
导轨系列 半拉式



Installation sheet

安装说明



BLUMOTION

by Blum

阻尼



Installation video
安装视频



EA app
百隆安装宝 App

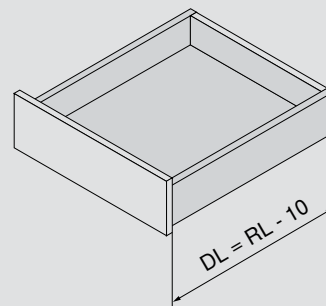
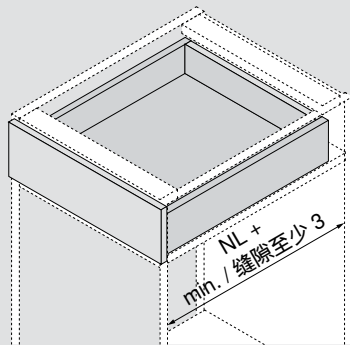
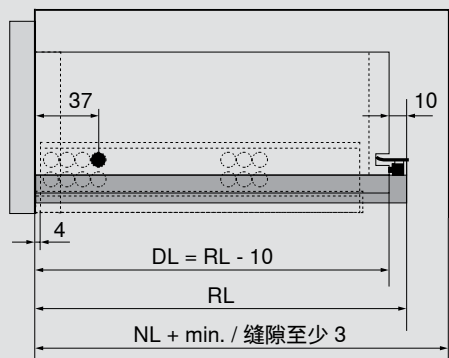
TANDEM runner
Single extension (550H)
导轨系列 半拉式



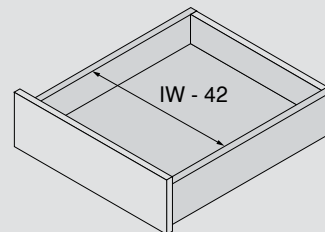
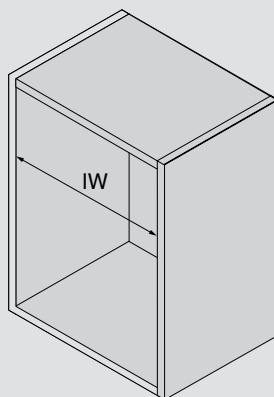
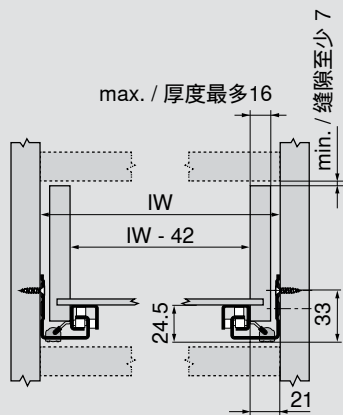
Planning specifications
规划细节

Drawer / Inner drawer space requirement 抽屉 / 抽屉内空间需求

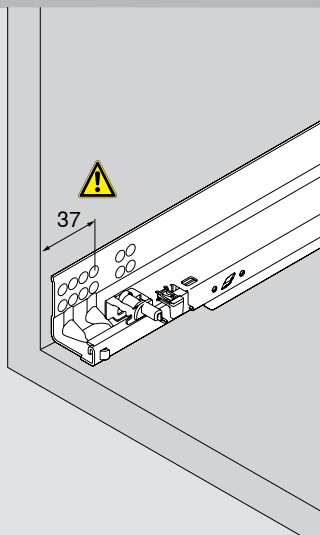
1



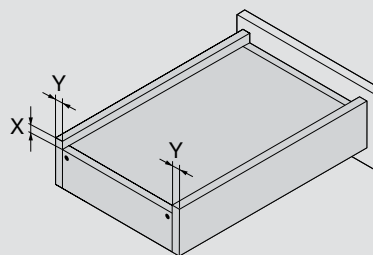
2



Runner position 导轨位置



Drawer base 抽屉底部



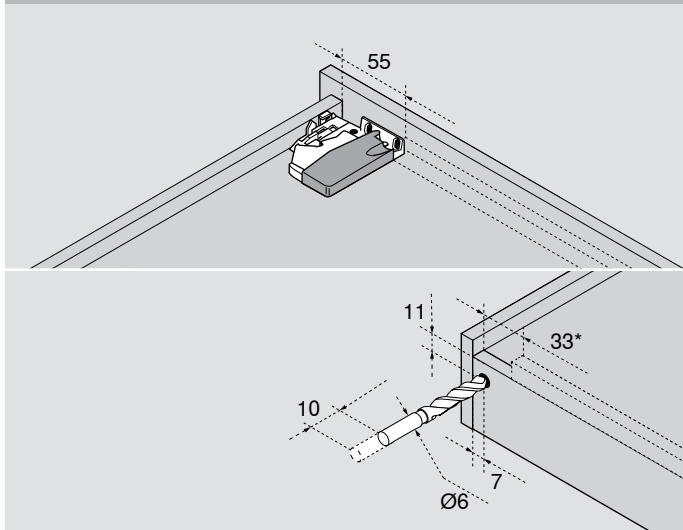
Y = max. / 厚度最多 16
X = max. / 高度最多 12

TANDEM runner
Single extension (550H)
导轨系列 半拉式

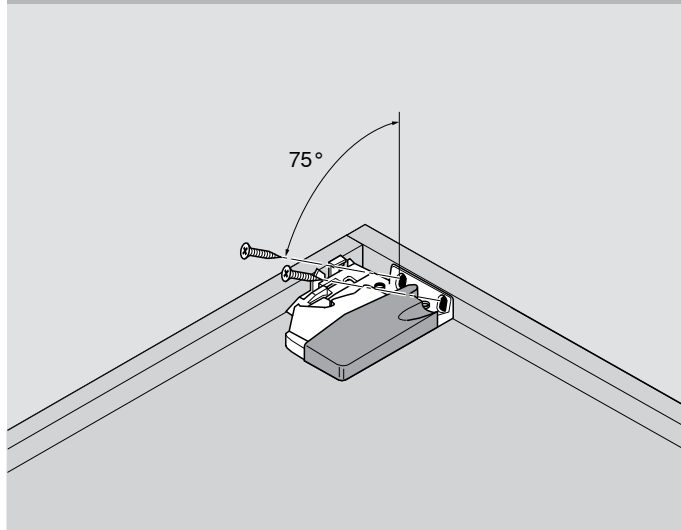


Assembly
装置

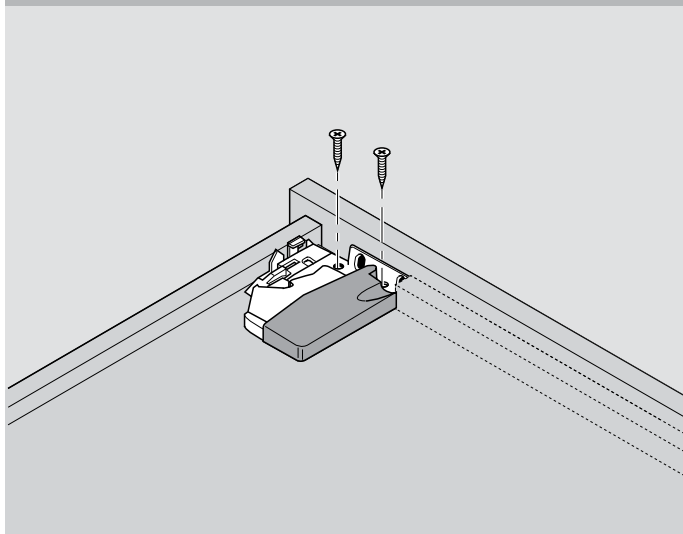
Drawer assembly 抽屉装置



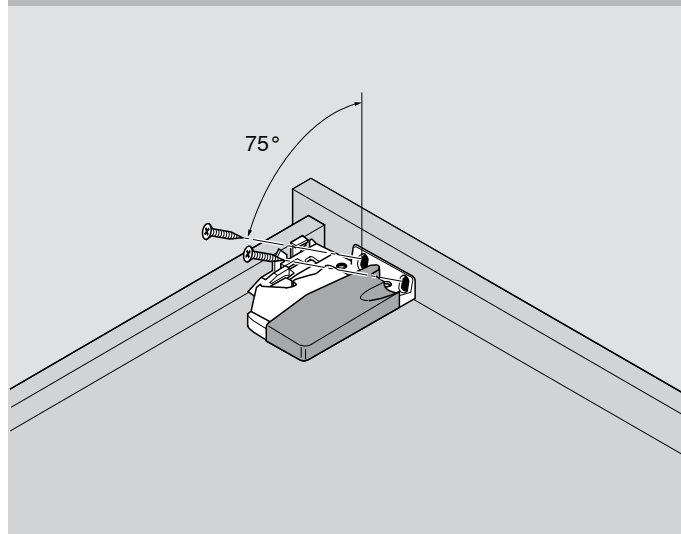
Inner drawer locking device 内低抽屉接码



Four-sided drawer locking device 四面抽屉接码



Three-sided drawer locking device 三面抽屉接码



Legends 说明

- DL = Drawer length 抽屉长度
- RL = Runner length 导轨长度

- NL = Nominal length 标称长度
- IW = Inner width 橱内宽度

All measurements are in millimetres (mm) 所有尺寸以毫米为单位

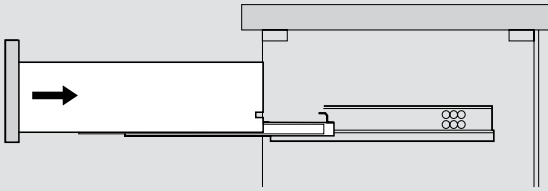
TANDEM runner
Single extension (550H)
导轨系列 半拉式



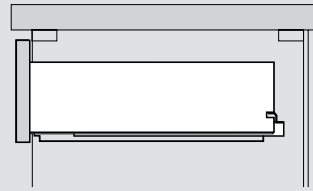
Drawer insertion, removal and adjustment
抽屉安装, 拆卸和调节

Drawer insertion 抽屉安装

1

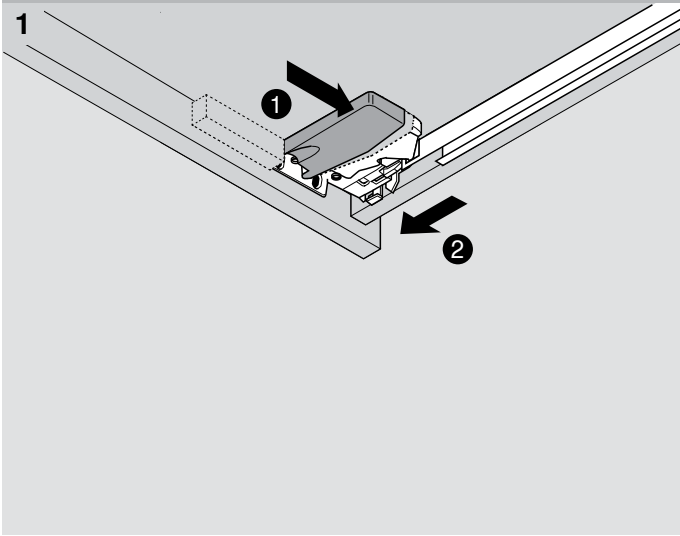


2

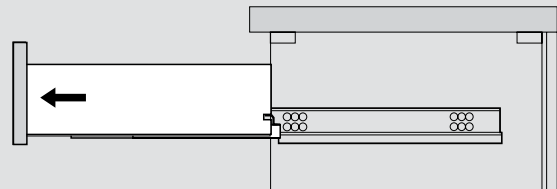


Drawer removal 抽屉拆卸

1



2



Height adjustment 高度调节 + 3 mm

